

- 3570520-1 (BLACK) _____ TAPE- FRT FENDER COLOR STRIPE
- 3570522-3 (WHITE) _____ (S/O 3570520)
- 3570524-5 (CHARTREUSE) _____
- 3570526-7 (MAGENTA) _____

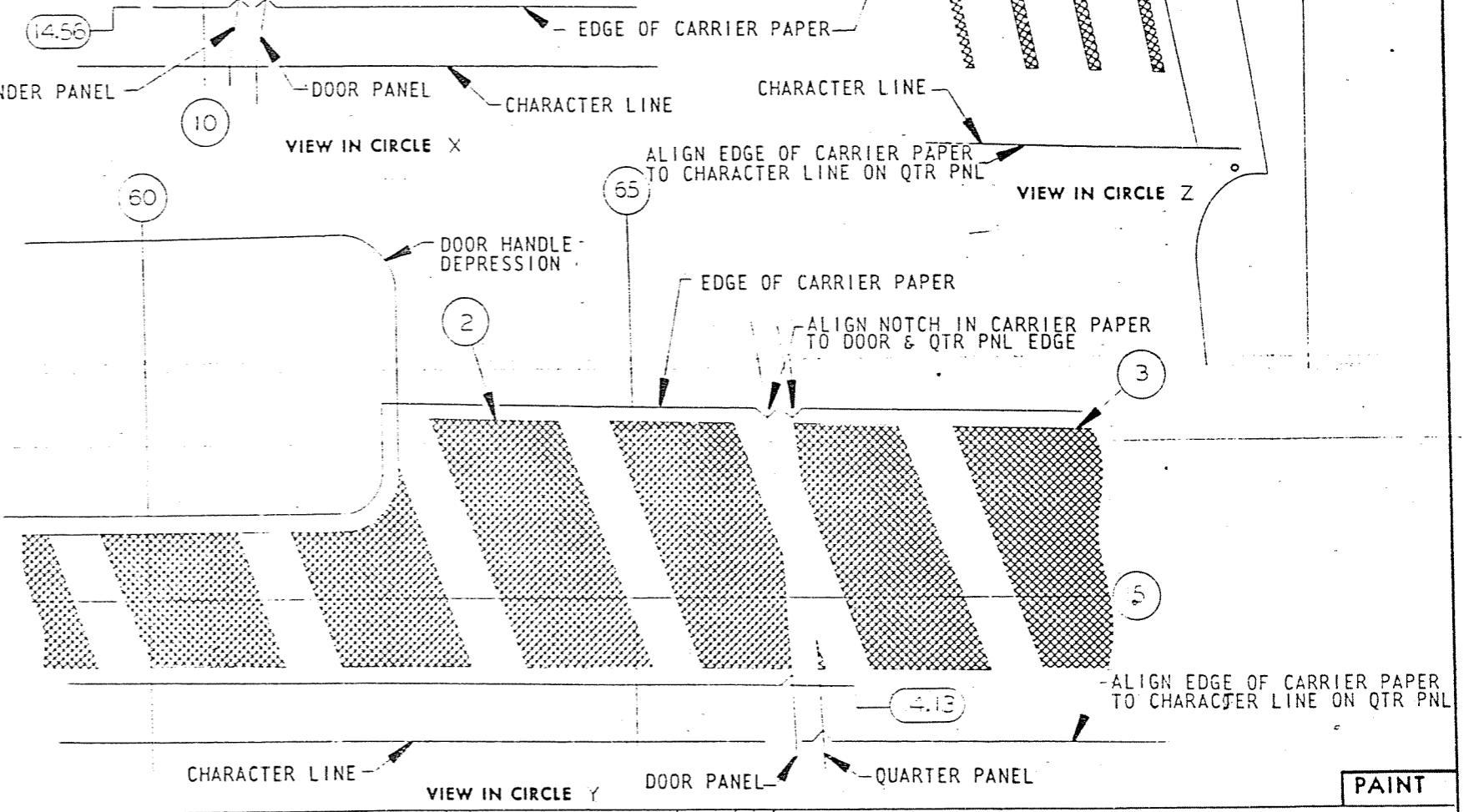
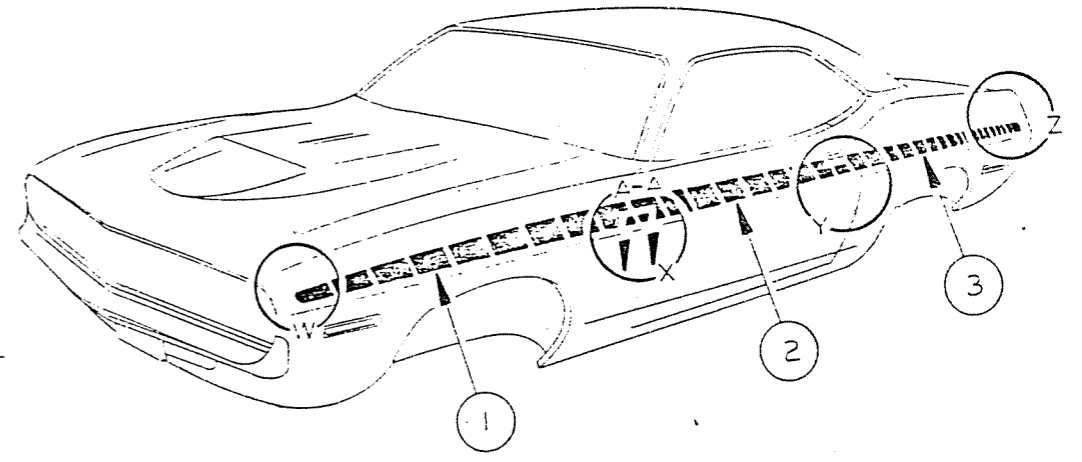
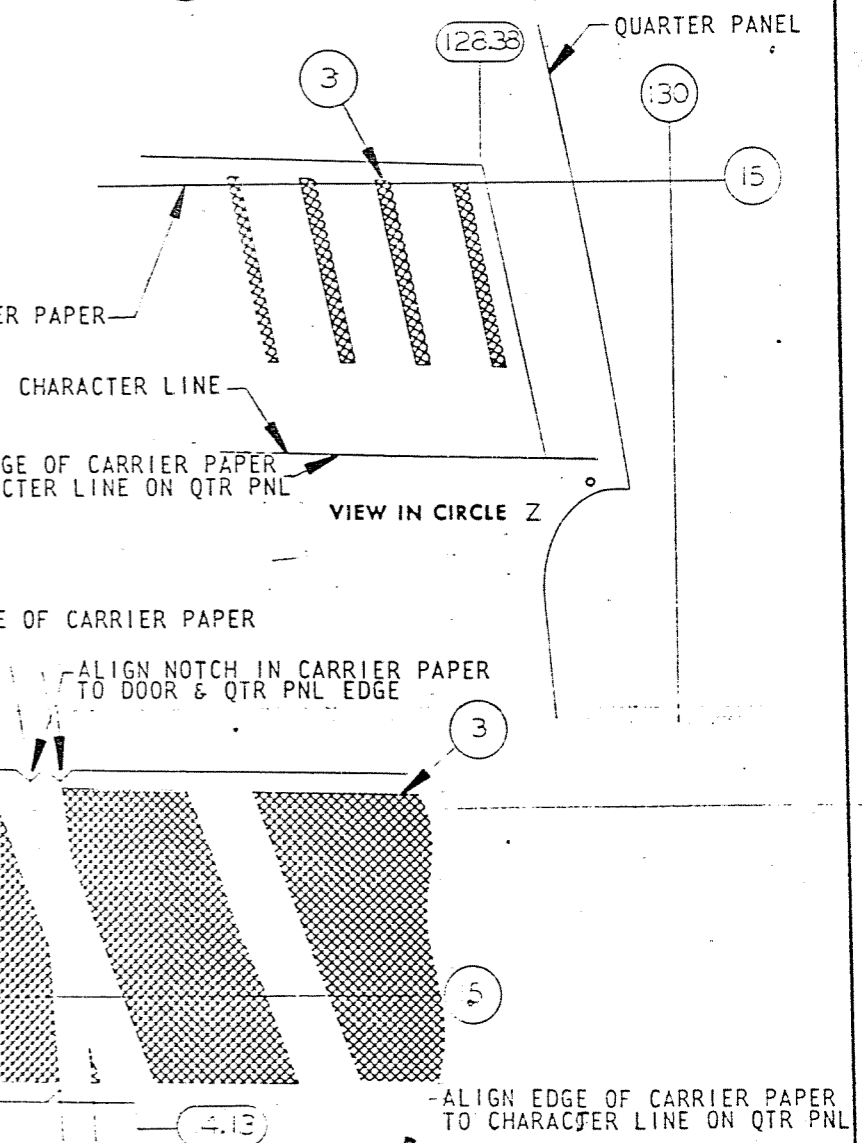
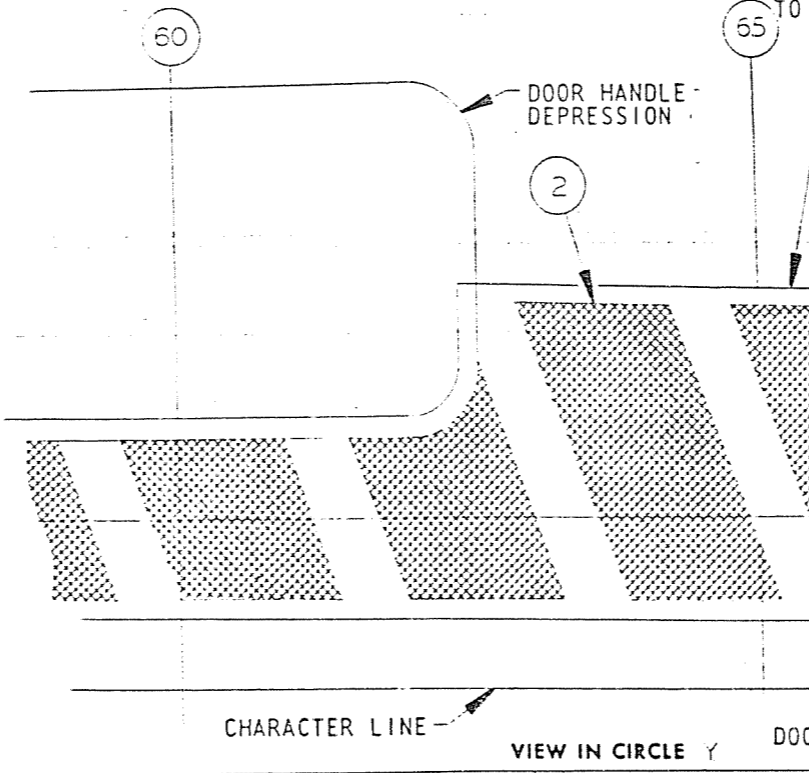
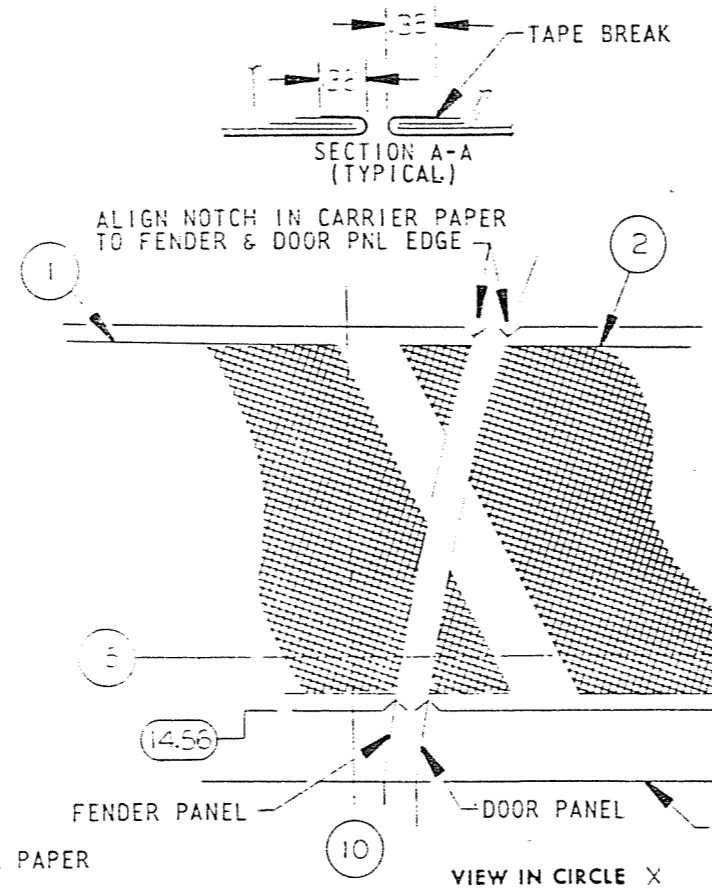
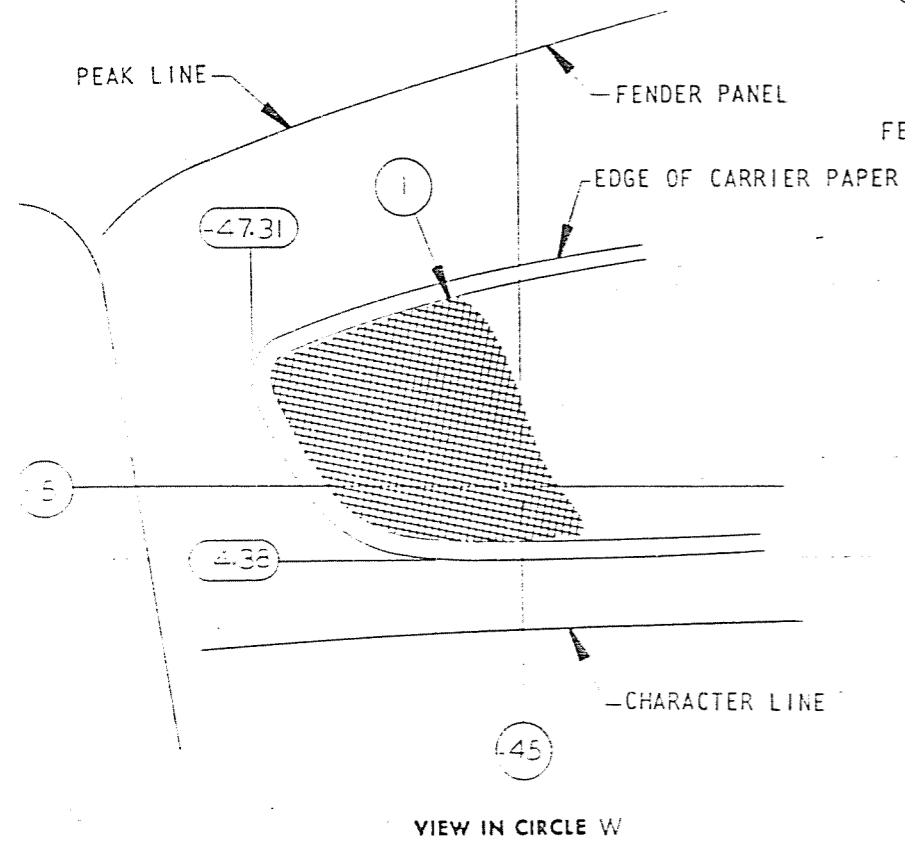
- 3570528-9 (BLACK) _____ TAPE- DOOR COLOR STRIPE
- 3570530-1 (WHITE) _____ (S/O 3570520)
- 3570532-3 (CHARTREUSE) _____
- 3570534-5 (MAGENTA) _____

- 3570536-7 (BLACK) _____ TAPE- QTR PANEL COLOR STRIPE
- 3570538-9 (WHITE) _____ (S/O 3570520)
- 3570540-1 (CHARTREUSE) _____
- 3570542-3 (MAGENTA) _____

TAPE OPERATIONS TO BE PERFORMED IN ACCORDANCE WITH (P.S. 4993)

ALIGN BOTTOM EDGE OF CARRIER PAPER ABOVE ZERO INCH LINE AS FOLLOWS:

14.37	INCHES AT THE	-45	INCH LINE
14.68	"	-30	"
14.71	"	-15	"
14.62	"	0	"
14.55	"	10	"
14.50	"	15	"
14.39	"	30	"
14.30	"	45	"
14.18	"	60	"



PAINT					
MODELS F/B-0-00 S/ CODE SV40					
DRAWN	CHECKED	APP.	APP.	DATE	2-26-70
	F.A.H.	<i>[Signature]</i>			
ENGINEERING ILLUSTRATION				MANUAL NO. 2654909	
DEPT. 3050				SECTION PAGE B 31.0	
91030-191-1 RELEASED					