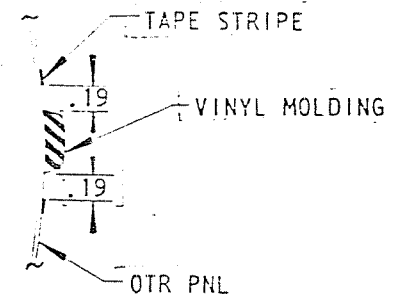
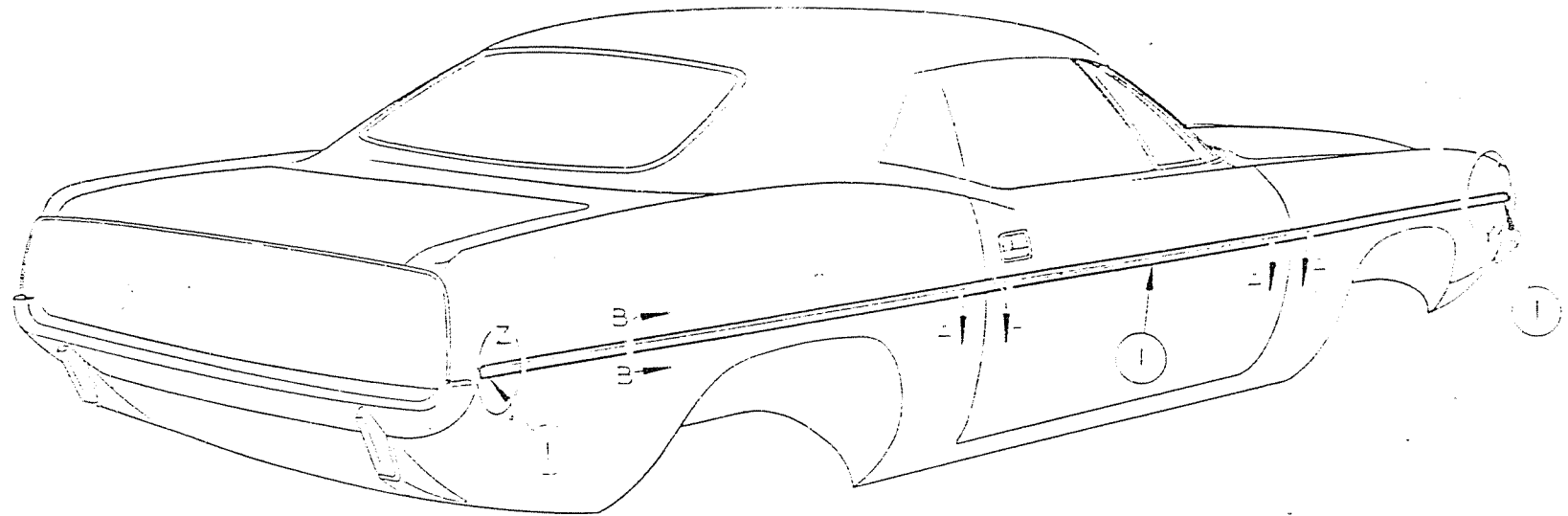


NOTE:

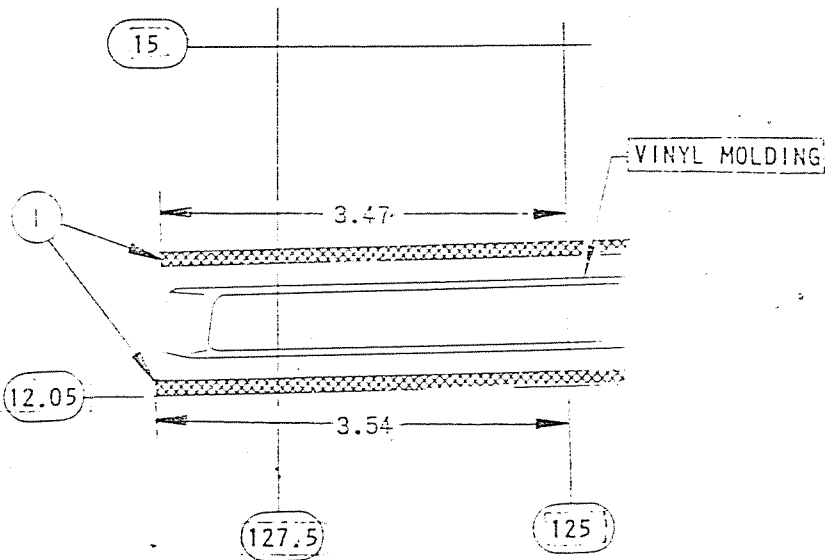
LOCATE BOTTOM EDGE OF TAPE ABOVE THE ZERO INCH LINE AS FOLLOWS

INCHES AT THE	-45	INCH LINE
13.15	"	"
13.49	"	"
13.52	"	"
13.43	"	"
13.31	"	"
13.21	"	"
13.08	"	"
12.97	"	"
12.88	"	"
12.65	"	"
12.33	"	"

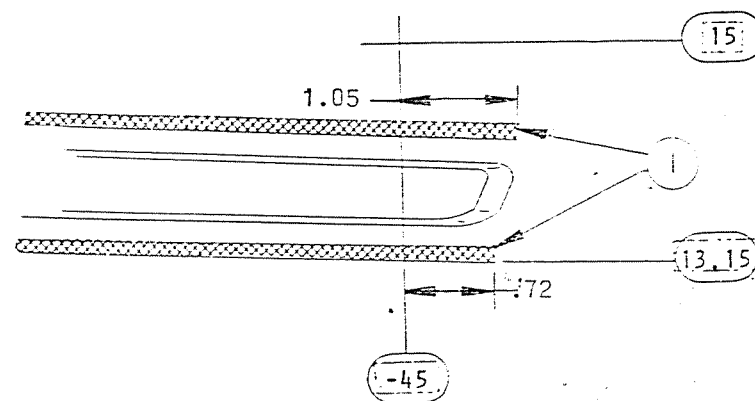
- ① 3613279 (WHITE)
 - 3613280 (BLACK)
 - 3613281 (BLUE)
 - 3613282 (GREEN)
 - 3613283 (GOLD)
- TAPE-BODY SIDE



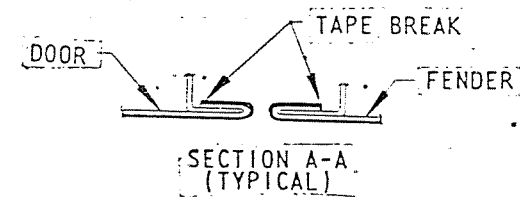
SECTION B-B (TYPICAL)



VIEW IN CIRCLE Z



VIEW IN CIRCLE Y



SECTION A-A (TYPICAL)

NOTE:
FOR ADHESIVE BACKED MLDG APPLICATION SEE PAGE 16.0

ALL OPERATIONS TO BE PERFORMED IN ACCORDANCE WITH (P.S.4993)

REF STYLING L/OUT LOCATION SEE 37375

C.R. NO.	LET	WAS	DATE DRCK	R	CP. NO.	LET	WAS	DATE DRCK	R
00821-951	F	CANCELLED							
00527-115	E	TAPE REVISED							
	D	G SER MODS & NOTE ADDED							
	C	F/B-G-00 WAS F/B-H,P-00							
90418-301	B	S/CODE WAS (SM35/M05)							
	A	TO AGREE WITH NEW TTR A							
	A	CUT I WAS TAPE -							
	A	DOOR SIDE							

MODELS		DRAWN		CHECKED		APP.		APP.		DATE	
FG/B-0-00 SV50/M05,M46,V60,V70		D.R. POTTER		F.A.H.		CP		Su		11-22-68	
ENGINEERING ILLUSTRATION		PRODUCT PLANNING & DEVELOPMENT STAFF		CHRYSLER CORPORATION		MANUAL NO. 2654909		SECTION B		PAGE 7.0	
DEPT. 3440		TAPE STRIPE-BODY SIDE									

PAINT