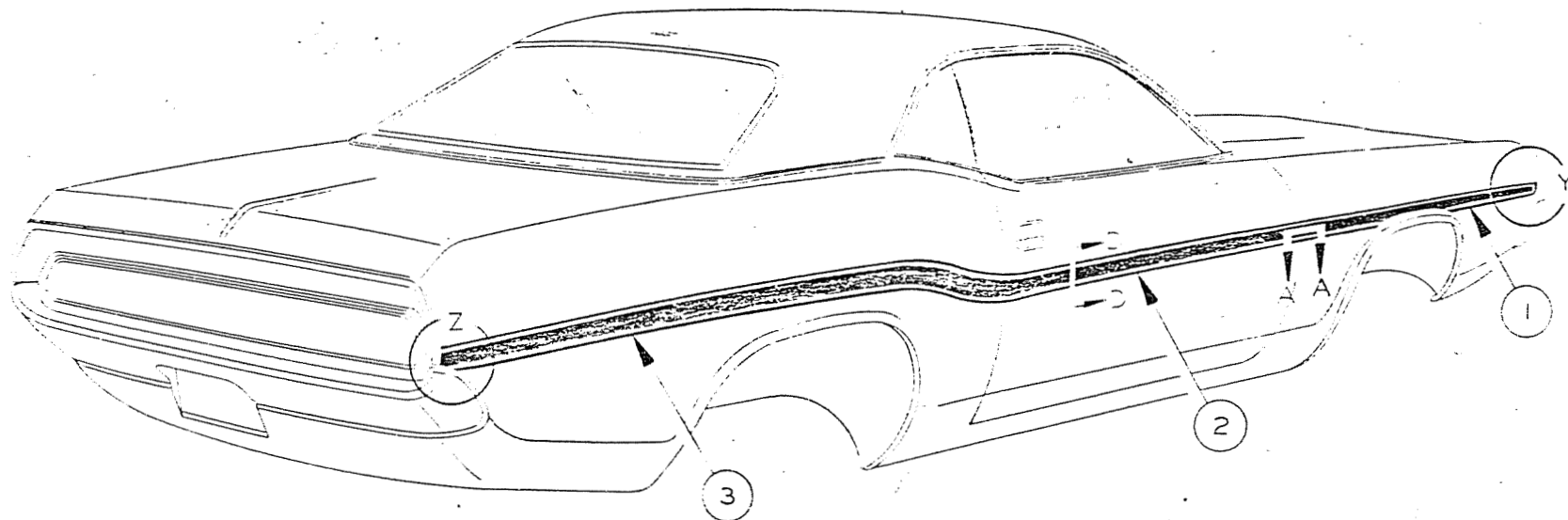


NOTE:  
LOCATE BOTTOM EDGE OF TAPE ABOVE  
THE ZERO INCH LINE AS FOLLOWS

12.35	INCHES AT THE	-45	INCH LINE
12.40	"	-30	"
13.09	"	-15	"
12.11	"	0	"
11.84	"	15	"
11.53	"	30	"
11.19	"	45	"
10.80	"	60	"
12.14	"	75	"
12.51	"	90	"
13.00	"	105	"
12.61	"	120	"

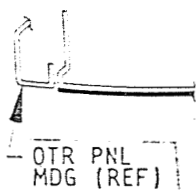


1 S/O 2965948 TAPE-FENDER COLOR STRIPE

2 S/O 2965948 TAPE-DOOR COLOR STRIPE

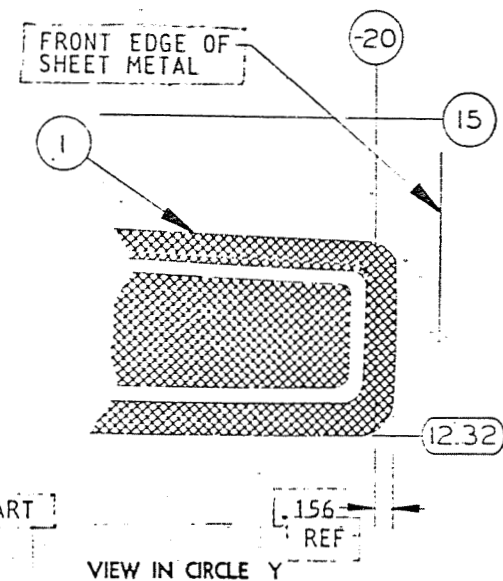
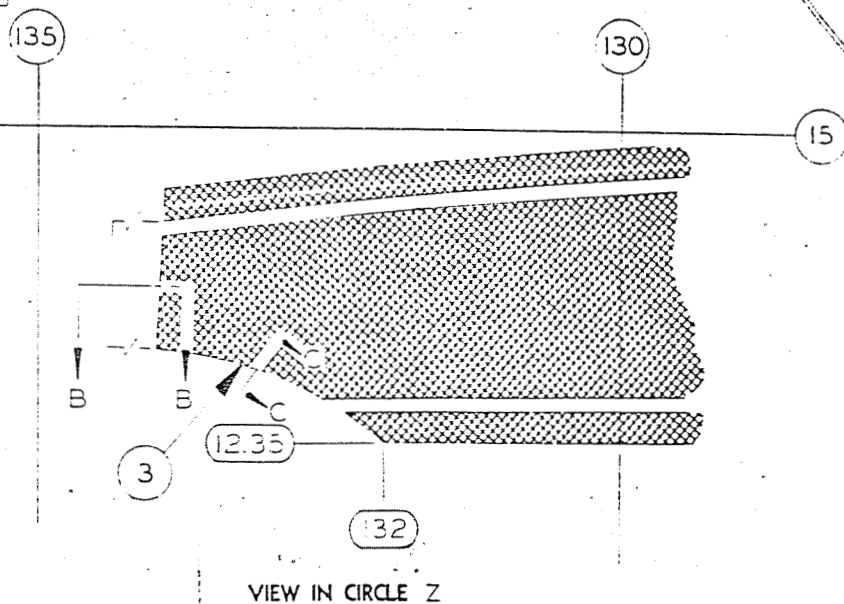
3 S/O 2965948 TAPE-QTR PNL COLOR STRIPE

ALL OPERATIONS TO BE PERFORMED IN ACCORDANCE  
WITH F.S.4993

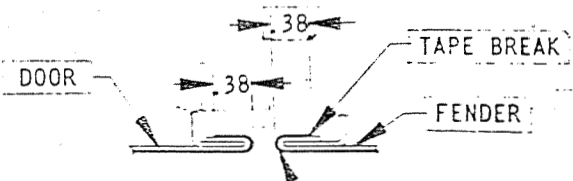


SECTION C-C

SECTION B-B



SECTION D-D



SECTION A-A  
(TYPICAL)

INDEX HERE AT  
EDGE OF FENDER

PAINT

MODELS		F/J-S-00 p1135-V68		F/J-H-00 SV60	
DRAWN	CHECKED	APP.	APP.	DATE	10-31-68
A. CASTRO	F.A.H.				
ENGINEERING ILLUSTRATION				MANUAL NO.	2654909
DEPT. 3440				SECTION	PAGE
TAPES STRIPES - BODY SIDE					
00112-190	R	F/J-H-00 SV60 ADDED			
90716-530	A	FILE 3 GREEN STRIPES ADDED TO 72 135 1.4 2.3			
RELEASED					