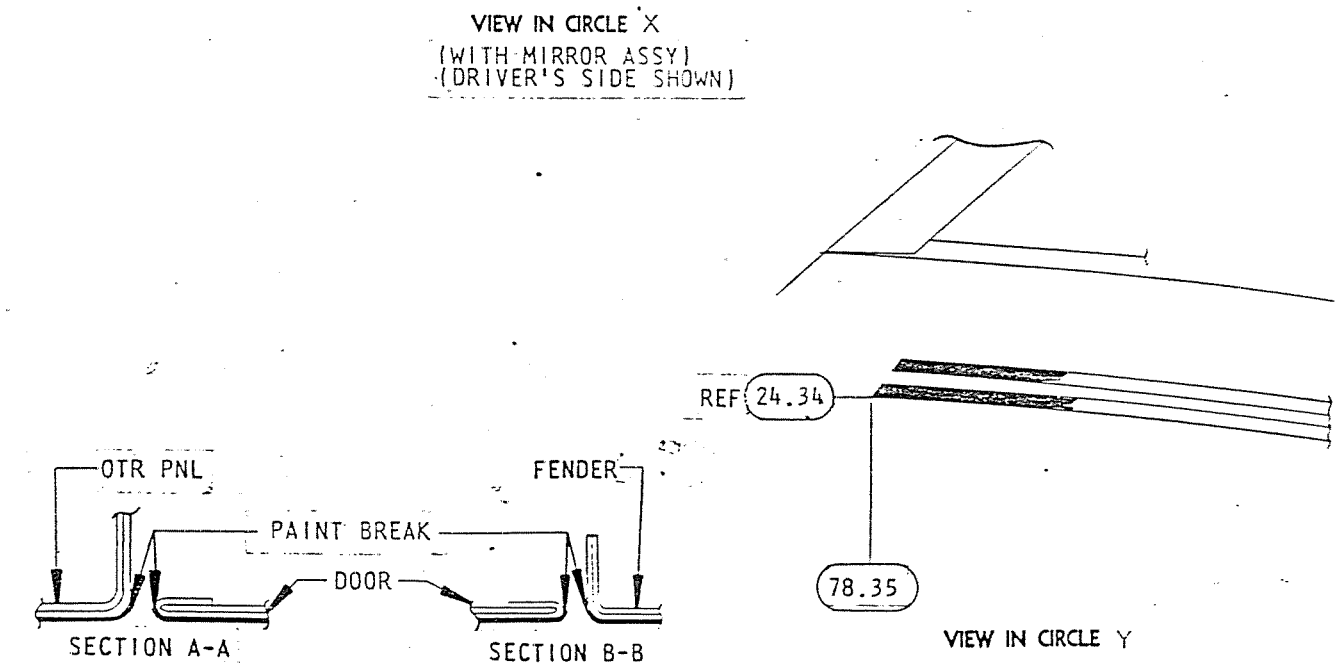
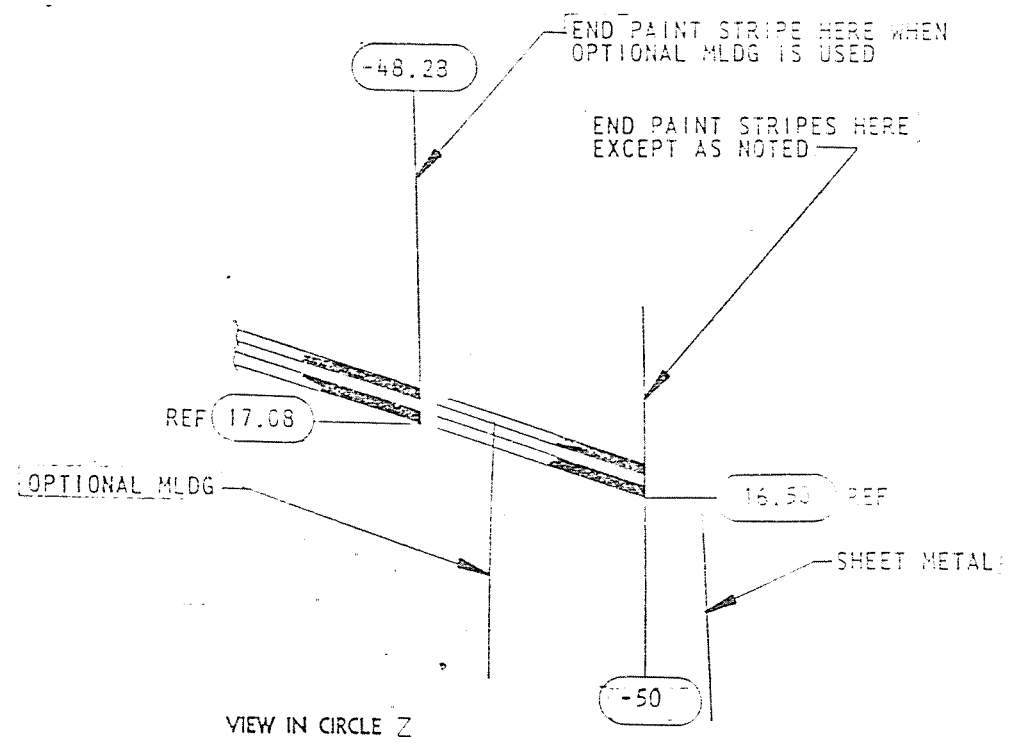
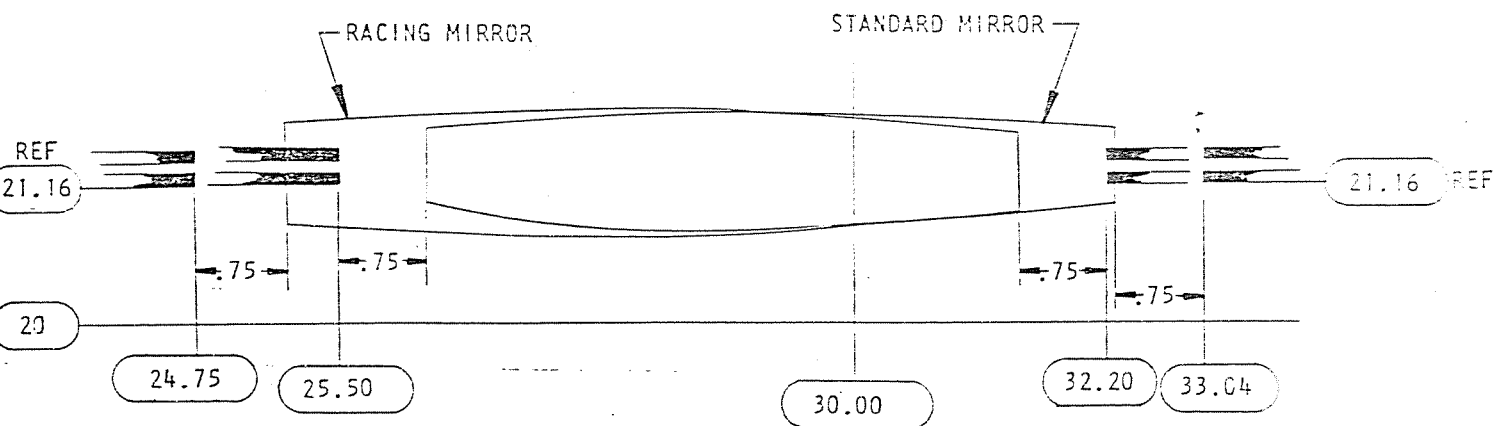
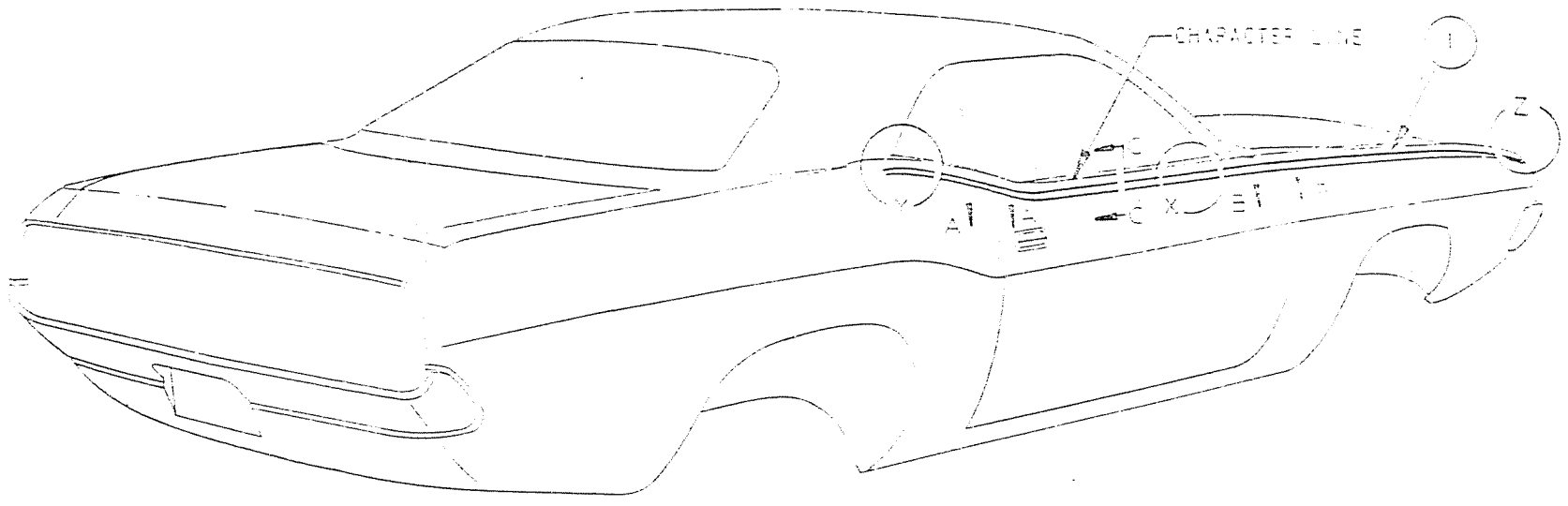
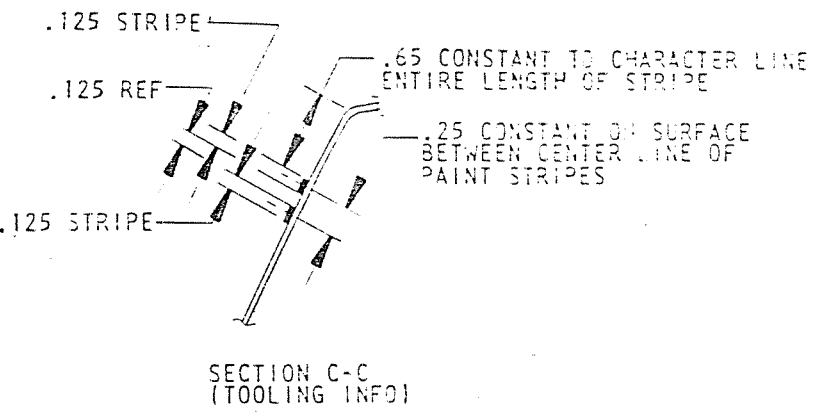


1 APPLY EXTERIOR STRIPING LACQUER (M.P. PAINT-1) OVER EXTERIOR ENAMEL (M.P. PAINT-1) PER (S.S. 2774)



REF: STYLING LAYOUT R-40753

										PAINT			
										MODELS G/J-H-00 \$A93 OR \$A93+SV7C OR SV7B			
										DRAWN	CHECKED	DATE	
										DUF00R	F.A.H. RSR.	10 10-69	
										ENGINEERING ILLUSTRATION			
										DEPT. 3440			
										PRODUCT PLANNING & DEVELOPMENT STAFF			
										CHRYSLER CORPORATION			
										MANUAL NO. 2654909			
										SECTION B PAGE 20.0			
C.R. NO.	LET	WAS	DATE	DR	CK	R	C.R. NO.	LET	WAS	DATE	DR	CK	R