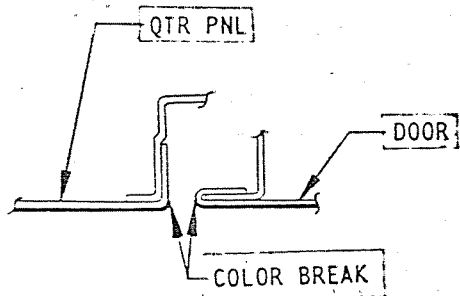
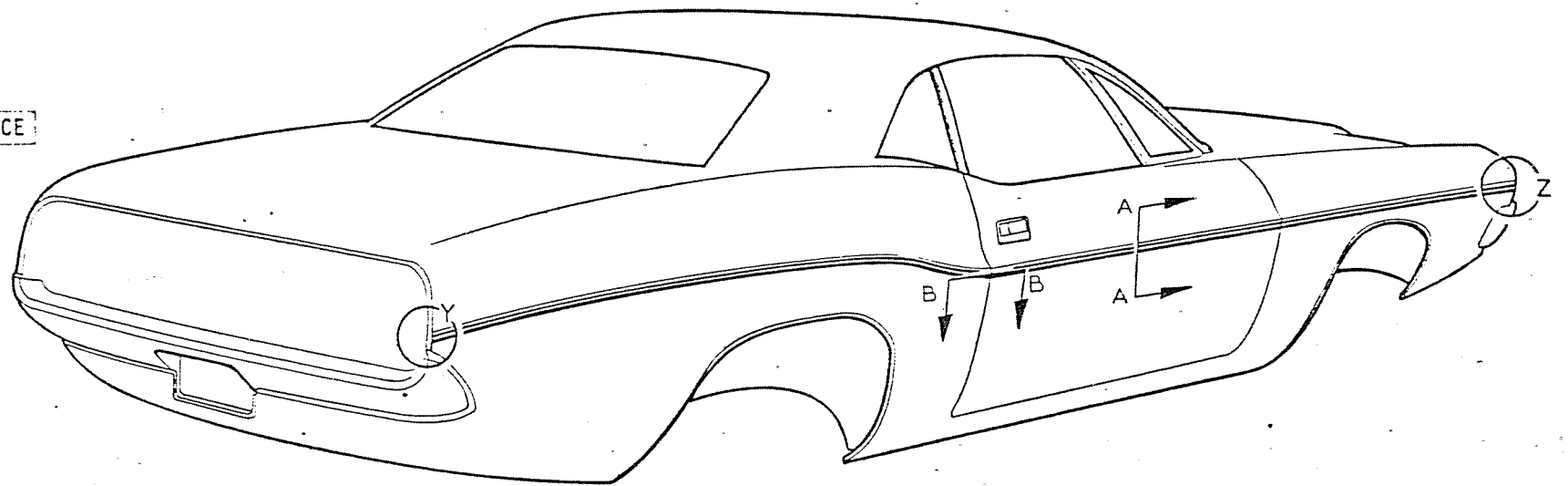
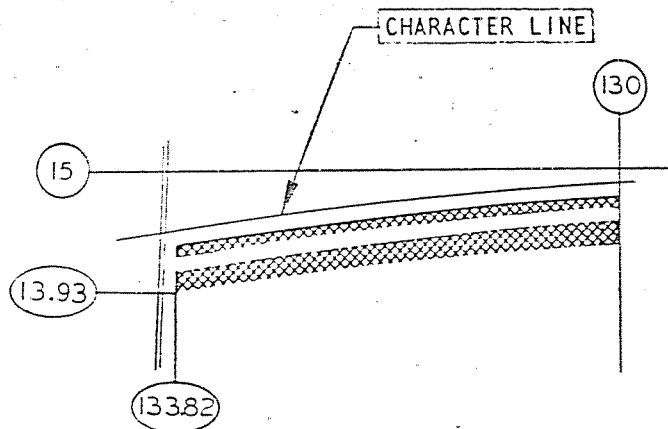


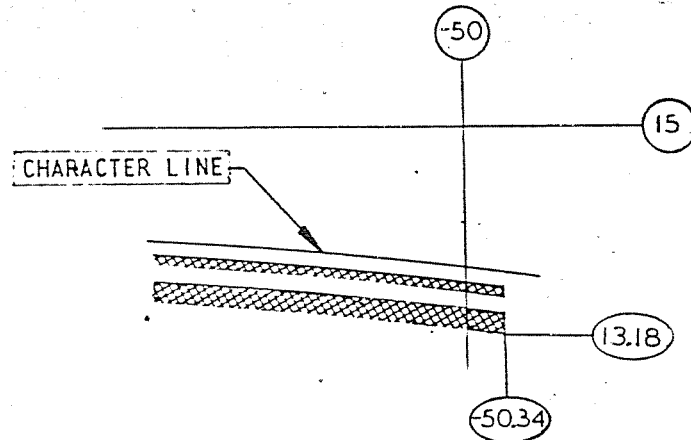
SECTION A-A
(TYPICAL)




SECTION B-B
(TYPICAL)



VIEW IN CIRCLE Y



VIEW IN CIRCLE Z


 APPLY EXTERIOR STRIPING LACQUER
 (M.S. PA11-1) OVER EXTERIOR ENAMEL
 (M.S. PA10-1) PER (P.S. 3774)

PAINT

MODELS					F/J-H-00 (SV70) (EXC F/J55-H-23,27)				
DATE	APP.	APP.	APP.	APP.	DATE	APP.	APP.	APP.	APP.
11-22-68	FAH	DY	FAH	FAH	11-22-68	FAH	DY	FAH	FAH
90917-531 D .125 STRIPE WAS 1.187					11/22/68				
00007-500-2 C (EXC F/J55-H-23,27) 1.187					11/22/68				
90214-145X B VIEW Z 13.24 WAS 30.24					11/22/68				
90109-109 A SCODE WAS (4 M 33)					11/22/68				
DEPT. 3440					DEPT. 3440				
ENGINEERING ILLUSTRATION					ENGINEERING ILLUSTRATION				
PRODUCT PLANNING & DEVELOPMENT STAFF					PRODUCT PLANNING & DEVELOPMENT STAFF				
CHRYSLER CORPORATION					CHRYSLER CORPORATION				
MANUAL NO. 2654909					MANUAL NO. 2654909				
SECTION 5					SECTION 5				
PAGE 12					PAGE 12				