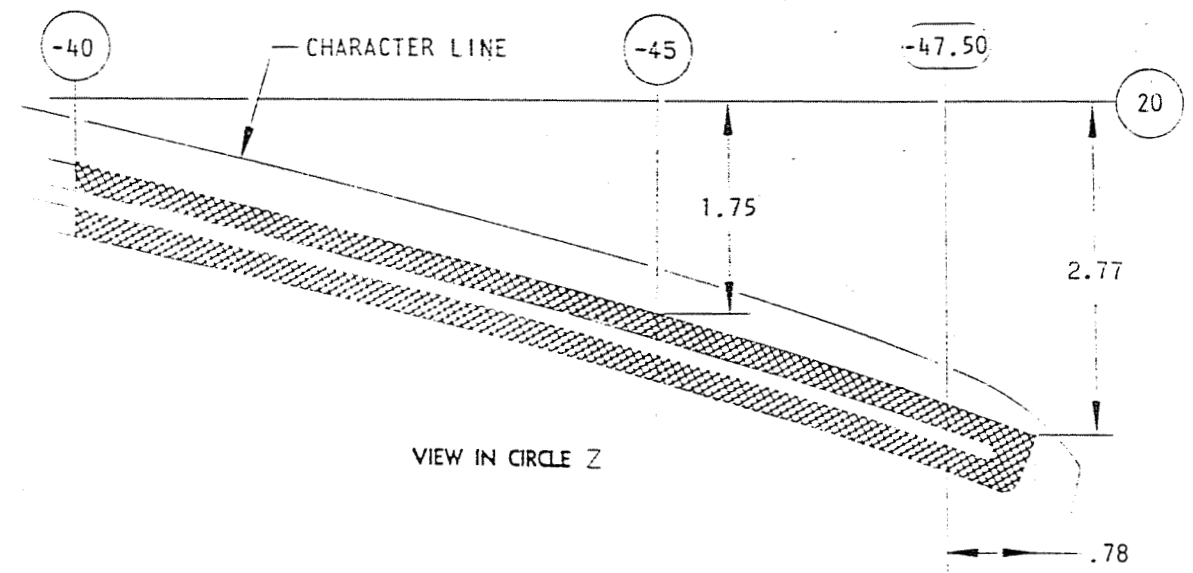
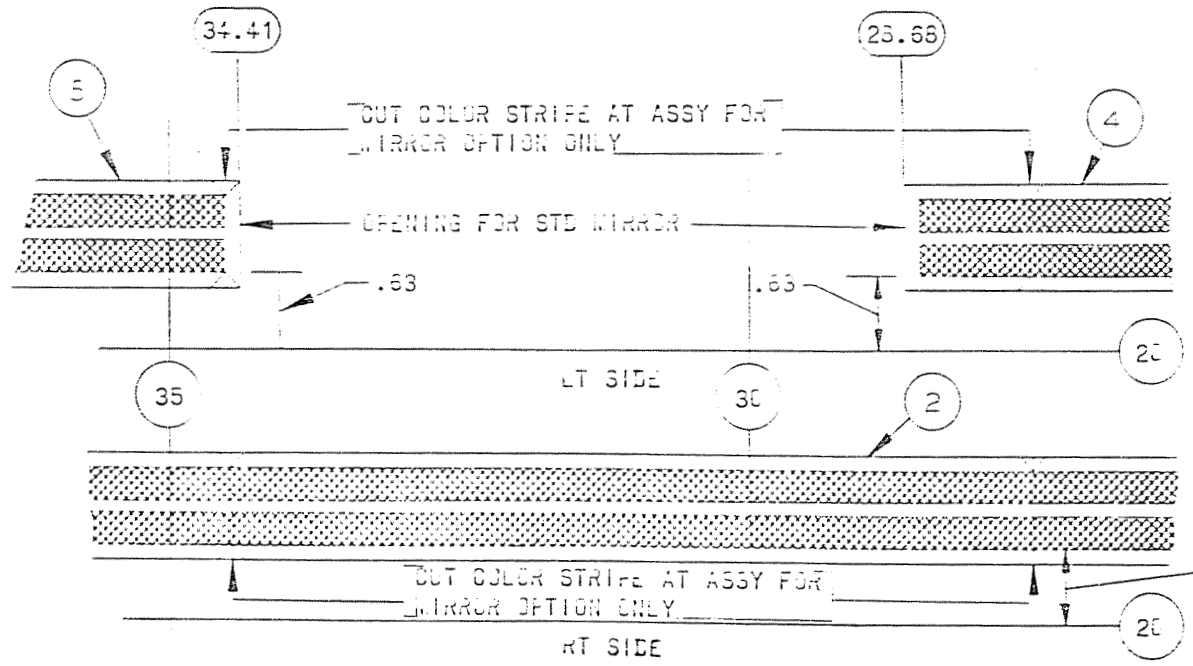
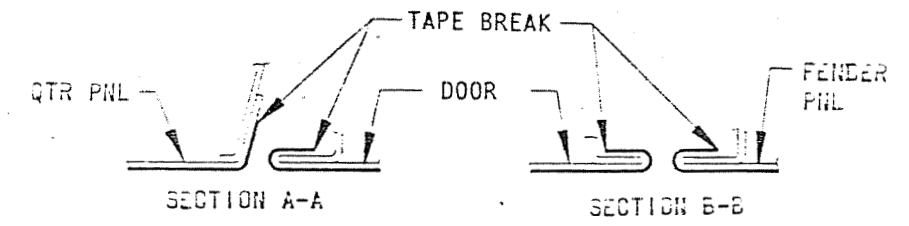
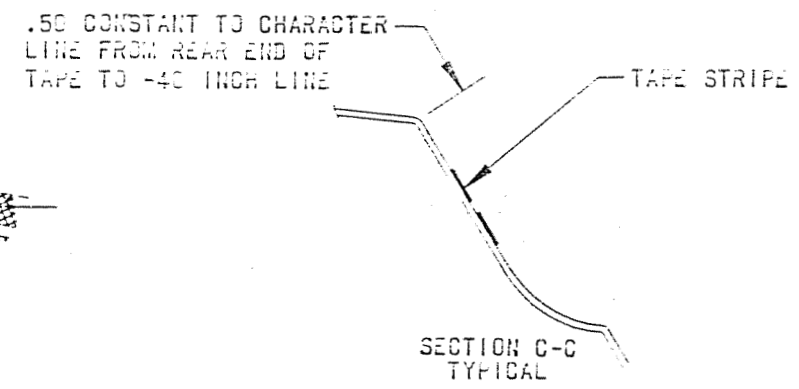
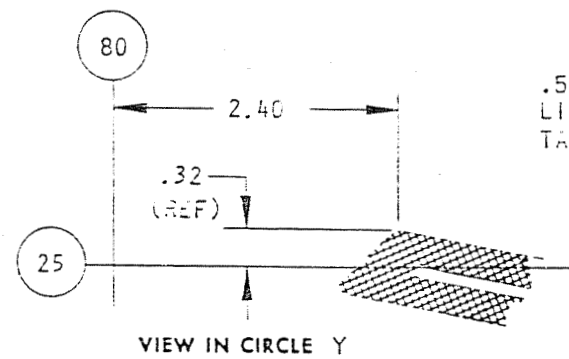
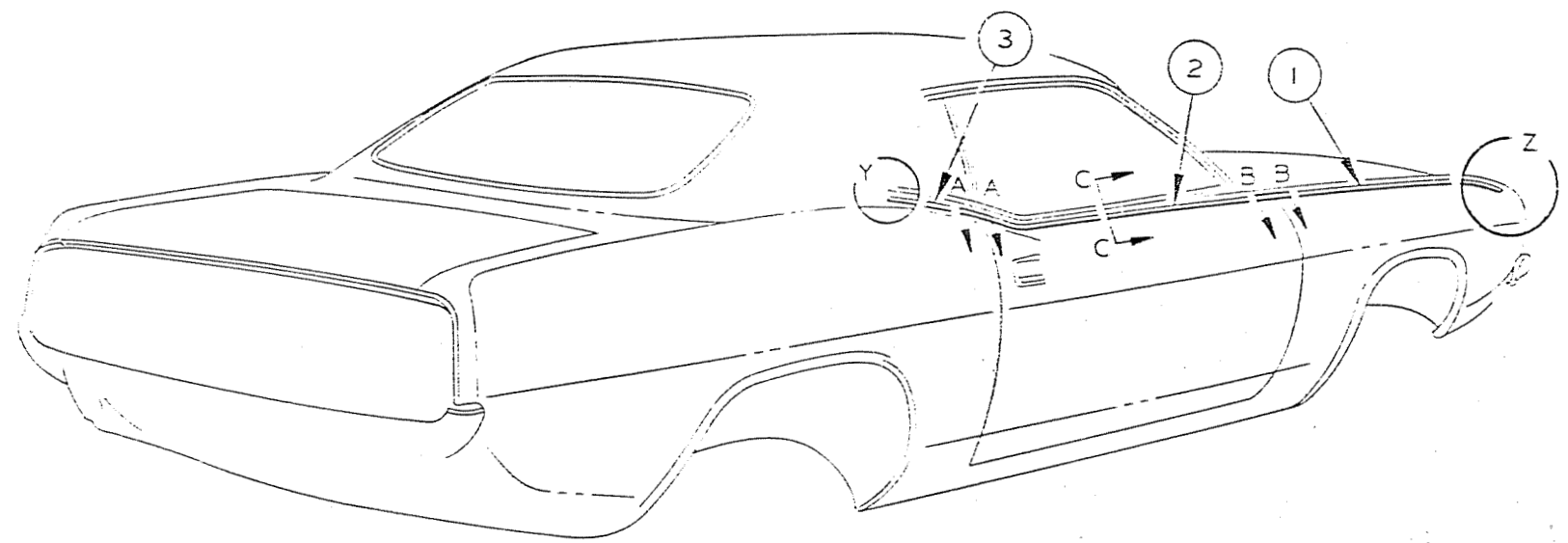


- 1 S/O 3569612-TAPE-FNDR SIDE COLOR STRIPE
- 2 S/O 3569612-TAPE-DOOR COLOR STRIPE
- 3 S/O 3569612-TAPE-QTR FNL COLOR STRIPE
- 4 S/O 3569612-3 TAPE-DOOR COLOR STRIPE LT-FRT
- 5 S/O 3569612-3 TAPE-DOOR COLOR STRIPE LT-REAR

TAPE OPERATIONS TO BE PERFORMED IN ACCORDANCE WITH P.S. 4993



MODELS						G/B-P-00		PAINT	
DRAWN	CHECKED	APP.	APP.	APP.	DATE	6-25-70			
SCCT 7	F.A.H.	RC	MS			ENGINEERING ILLUSTRATION			
DEPT. 3050						PRODUCT PLANNING & DEVELOPMENT STAFF		CHRYSLER CORPORATION	
						MANUAL NO.		2054909	
						SECTION		PAGE	