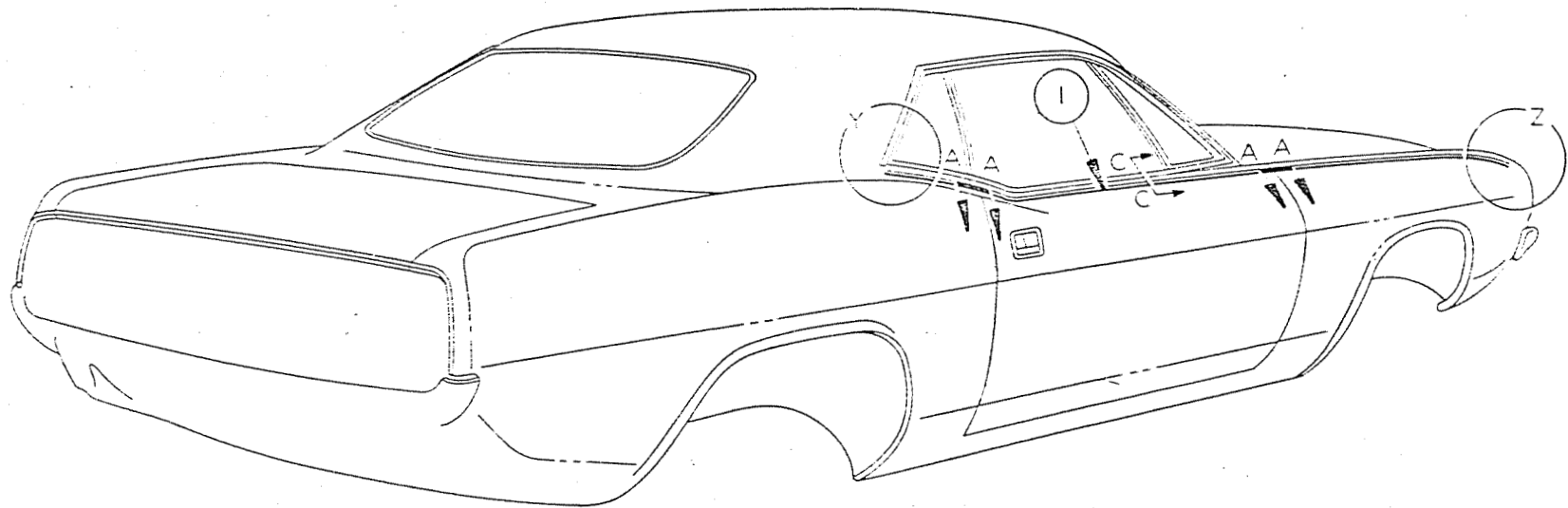
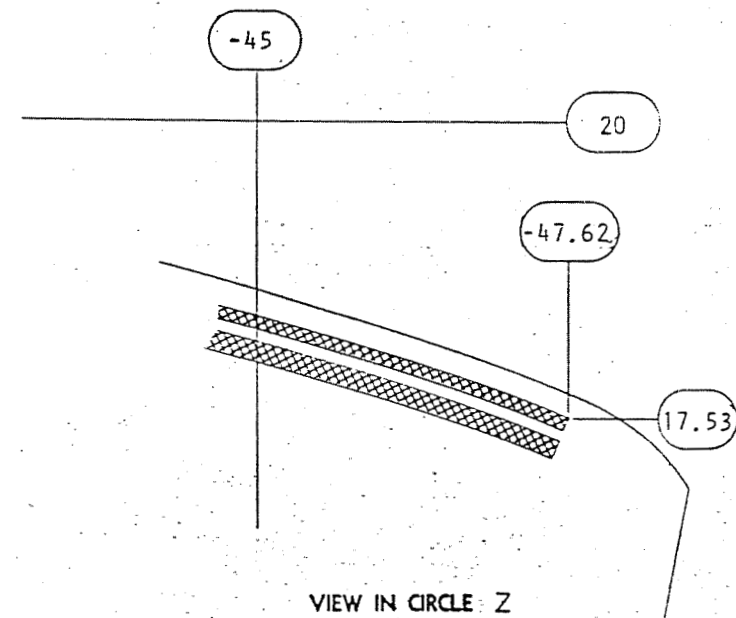
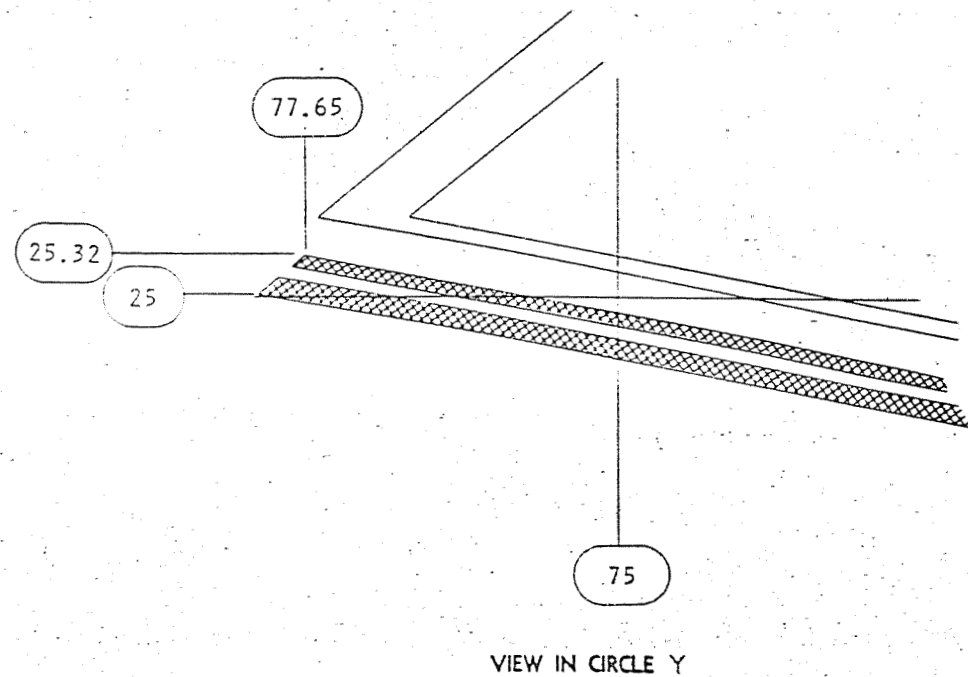
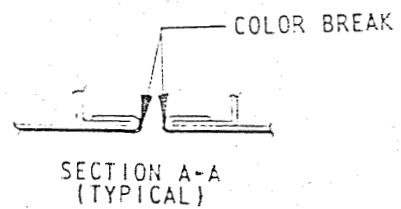
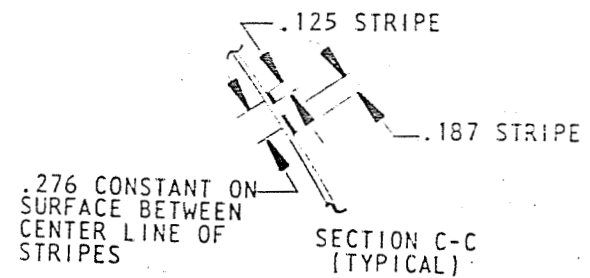


NOTE:  
LOCATE TOP EDGE OF PAINT ABOVE  
THE ZERO INCH LINE AS FOLLOWS

18.37	INCHES AT THE	-45	INCH LINE
20.75	"	-30	"
21.18	"	-15	"
21.36	"	0	"
21.34	"	15	"
21.26	"	30	"
21.22	"	45	"
21.93	"	60	"
24.86	"	75	"



1 APPLY EXTERIOR STRIPING LACQUER  
M.S. PATC-1 OVER EXTERIOR ENAMEL  
M.S. PATC-1 PER P.S. 3774



										<b>PAINT</b>				
										MODELS				
										G/B-P-00 & V60, V50				
										DRAWN	CHECKED	APP.	APP.	DATE
										J. ZWOLINSKI	F.A.H.	[Signature]	[Signature]	9-2-69
										ENGINEERING ILLUSTRATION		PRODUCT PLANNING & DEVELOPMENT STAFF		MANUAL NO.
												CHRYSLER CORPORATION		2654909
										DEPT. 3440		SECTION	PAGE	