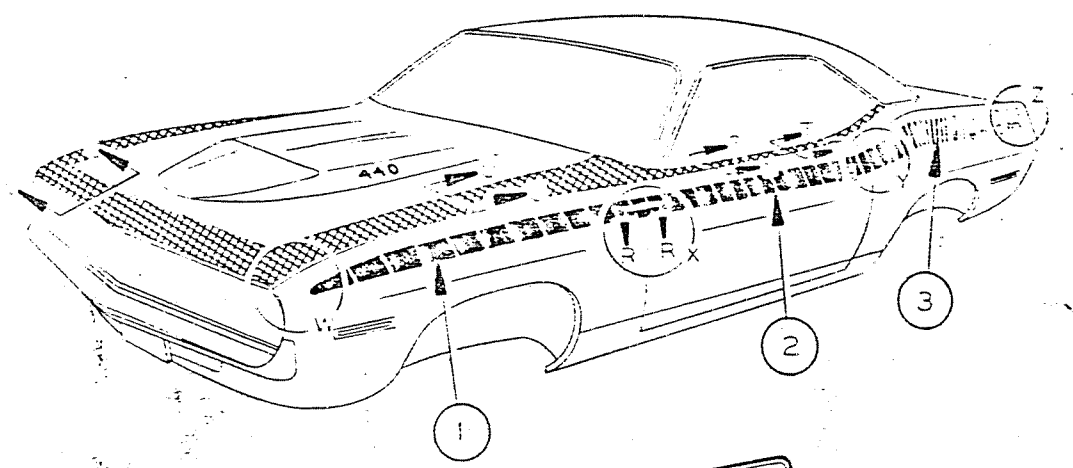
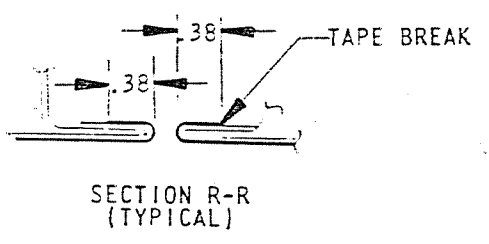


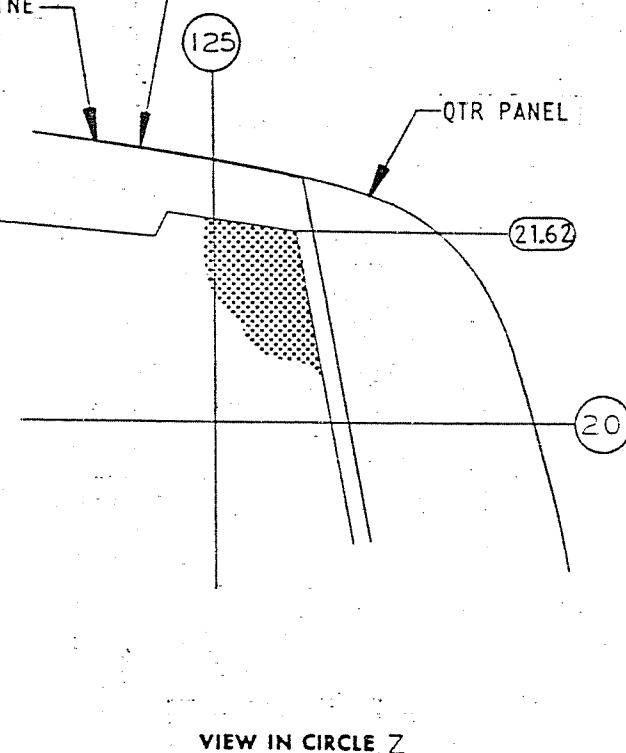
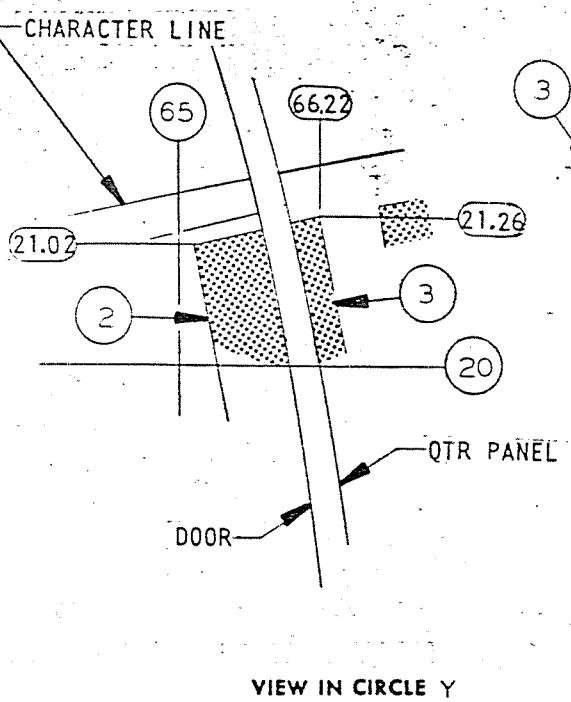
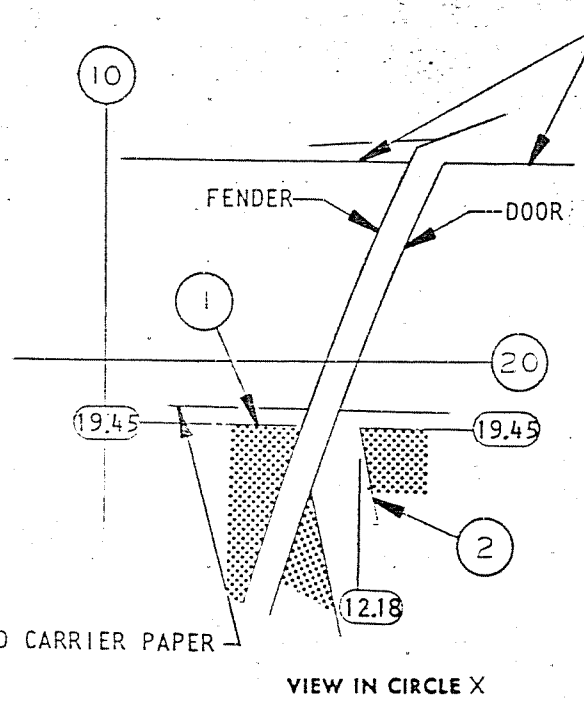
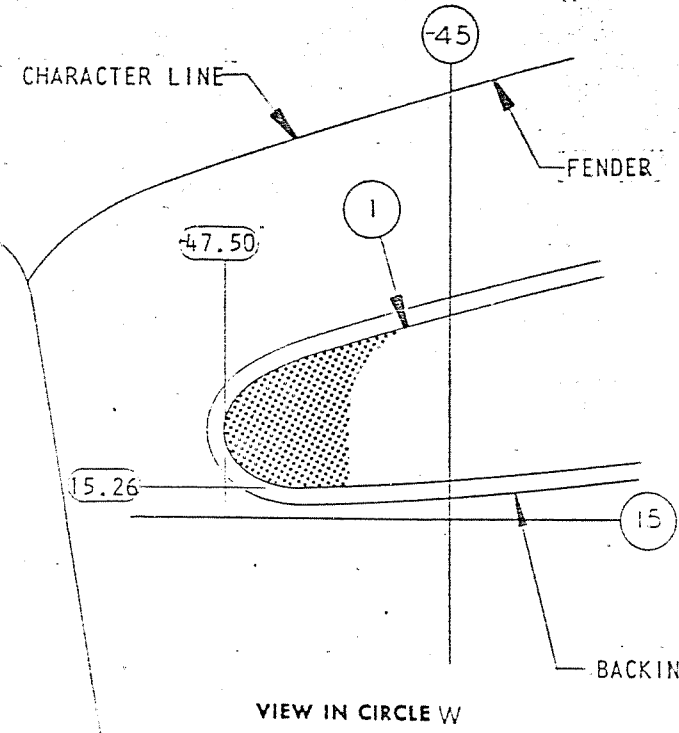
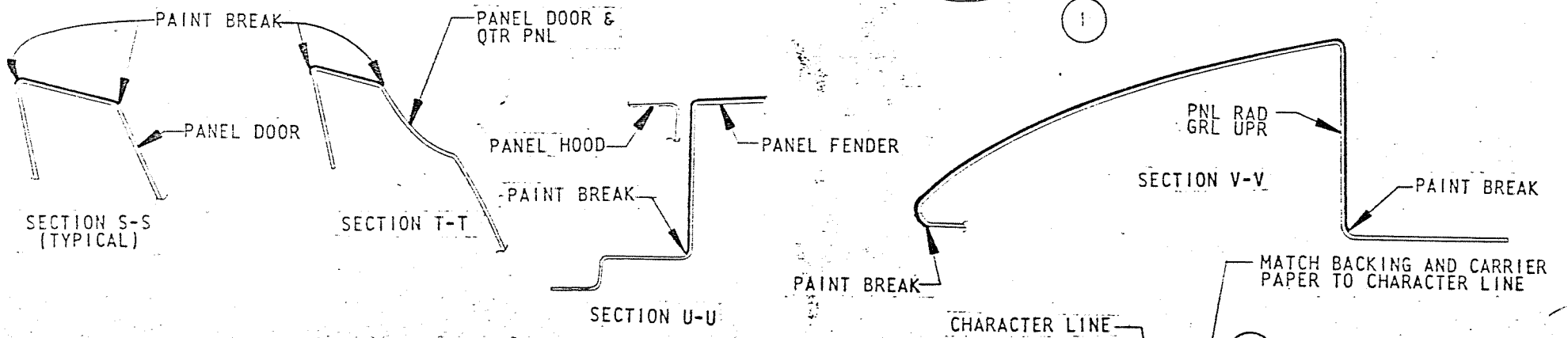
NOTE:

LOCATE TOP EDGE OF TAPE BELOW CHARACTER LINE  
DIMENSION ON SURFACE OF METAL

INCHES	AT THE	-	INCH LINE
1.87	"	35	"
1.88	"	25	"
2.05	"	15	"
2.07	"	5	"
2.12	"	0	"
2.16	"	5	"
2.10	"	20	"
2.12	"	25	"
.38	"	70	"
.35	"	80	"
.39	"	95	"
.40	"	105	"
.40	"	115	"



- TAPE OPERATIONS TO BE PERFORMED IN ACCORDANCE WITH (P.S. 4993)
- 1 3570556-7 TAPE-FNDR SIDE COLOR STRIPE
  - 2 3570558-9 TAPE-DOOR COLOR STRIPE
  - 3 3570560-1 TAPE-QTR PNL COLOR STRIPE
- BLACK ORGANOSOL PAINT AF5DX8 (M.S. P.221-1) PER (P.S. 3774)



										PAINT				
										MODELS FG/B55-S-23 S/CODE V6H				
										DRAWN	CHECKED	APP	APP	DATE
											EAH	EP		1-14-70
										ENGINEERING ILLUSTRATION		PRODUCT PLANNING & DEVELOPMENT STAFF		MANUAL NO. 2654909
										DEPT. 3440		CHRYSLER CORPORATION		SECTION B
										BODY SIDE TAPE STRIPE & PAINT TREATMENT		PAGE 36.0		