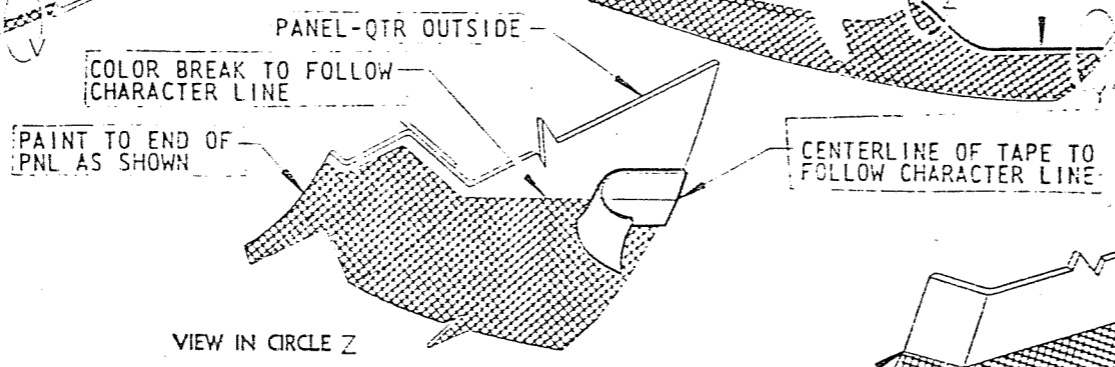
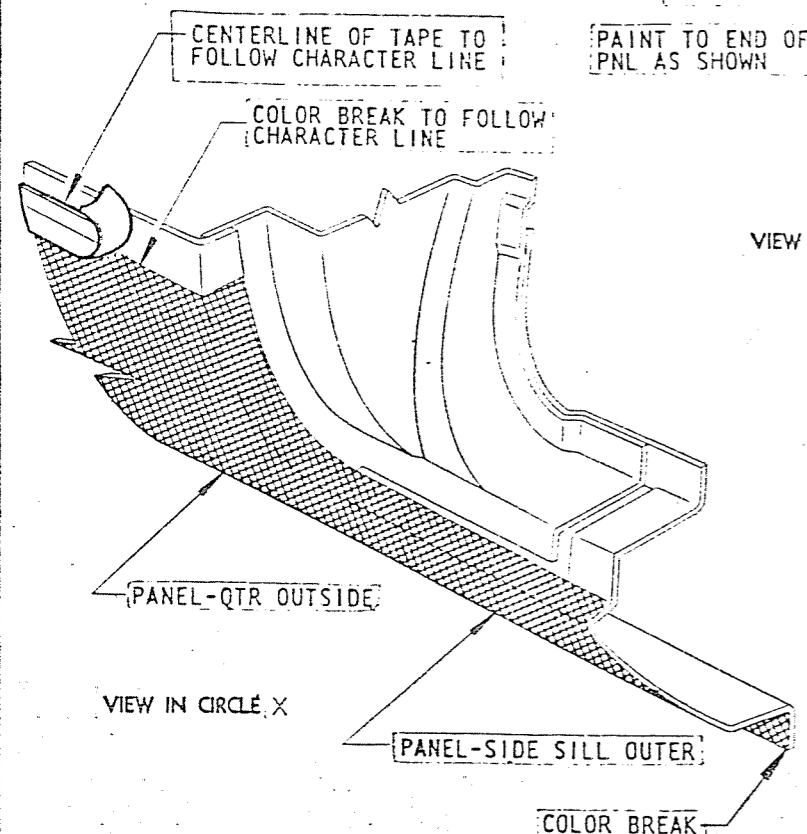
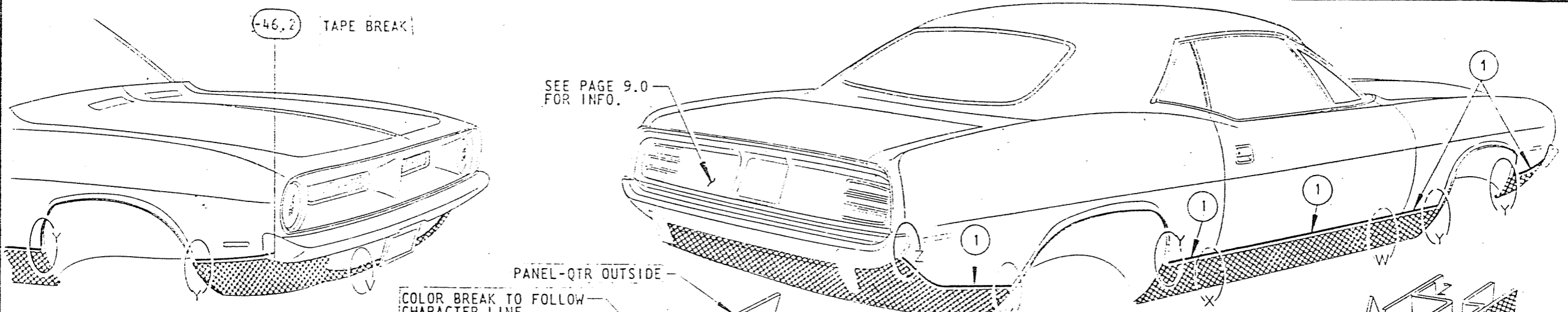
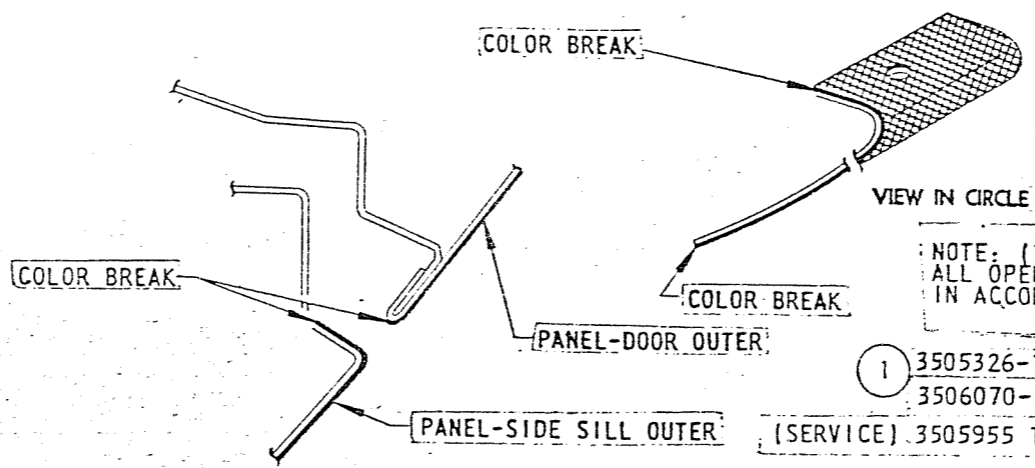
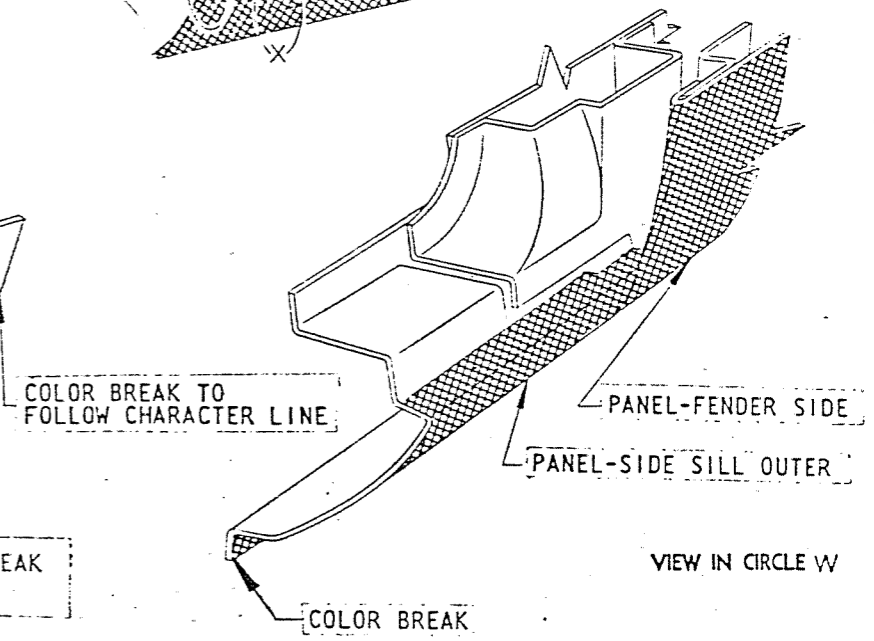
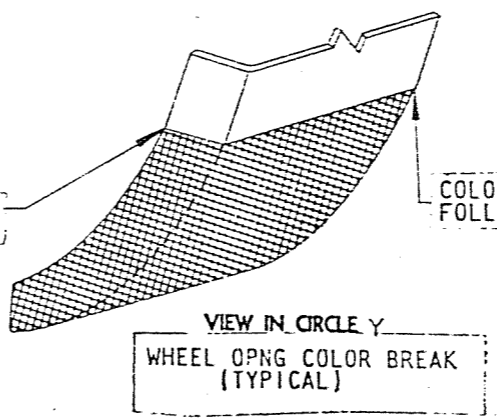


-46.2 TAPE BREAK

SEE PAGE 9.0 FOR INFO.



THIS LINE IS TO BE PARALLEL TO GROUND



NOTE: (TAPE) ALL OPERATIONS TO BE PERFORMED IN ACCORDANCE WITH (P.S. 4993)

- 1 3505326-7 TAPE-BODY SIDE LWR COLOR STRIPE (RED & WHITE)
- 3506070-1 TAPE QTR PANEL LOWER RR (RED & WHITE)
- (SERVICE) 3505955 TAPE-BODY SIDE LWT COLOR STRIPE (RED & WHITE)

BLACK ORGANOSOL DAF 5X8 (M.S. PA21-1) PER (P.S. 3774)

NOTE: LOWER PART OF TAPE MUST BE WHITE WHEN APPLIED. EXTEND TAPE TO WHEEL OPENING MOLDINGS, PAINT BREAKS & AT -46.2 INCH LINE (SIDE VIEW)

REF: STYLING LAYOUT 37678 & 37163

		J.S. 530-F-571	C	C/OUT 1 3505954 & 5 ADDED	7/21/68	MODELS	F/B-H-00 (SALES CODE M46)	DATE 9-19-68	
		90507-115	E	3505326-7 WAS 3444911 3505328-9 WAS 3444912	5/26/68 1/14/68			DRAWN D.R. POTTER	CHECKED F.A.H.
		90212-145X A	A	SEE PAGE 9.0 FOR DECK OPNG LWR INFO ADDED	7/12/68			APP. [Signature]	APP. [Signature]
13690-530	F	CANC FOR G-SEE		VIEW W/EX COLOR BREAK WAS UNLASCAY PERMISSIBLE				PRODUCT PLANNING & DEVELOPMENT STAFF	
90716-958	E	3506070-1 WAS 3505328-9		SCOOP RE-NORMED FROM QTR PANEL AREA				CHRYSLER CORPORATION	
	D	G SERIES MODS ADDED		RELEASED	7/19/68			MANUAL NO. 2654909	
							DEPT. 3440	PAINT & TAPE STRIPE BODY LOWER	
								SECTION B	PAGE 60