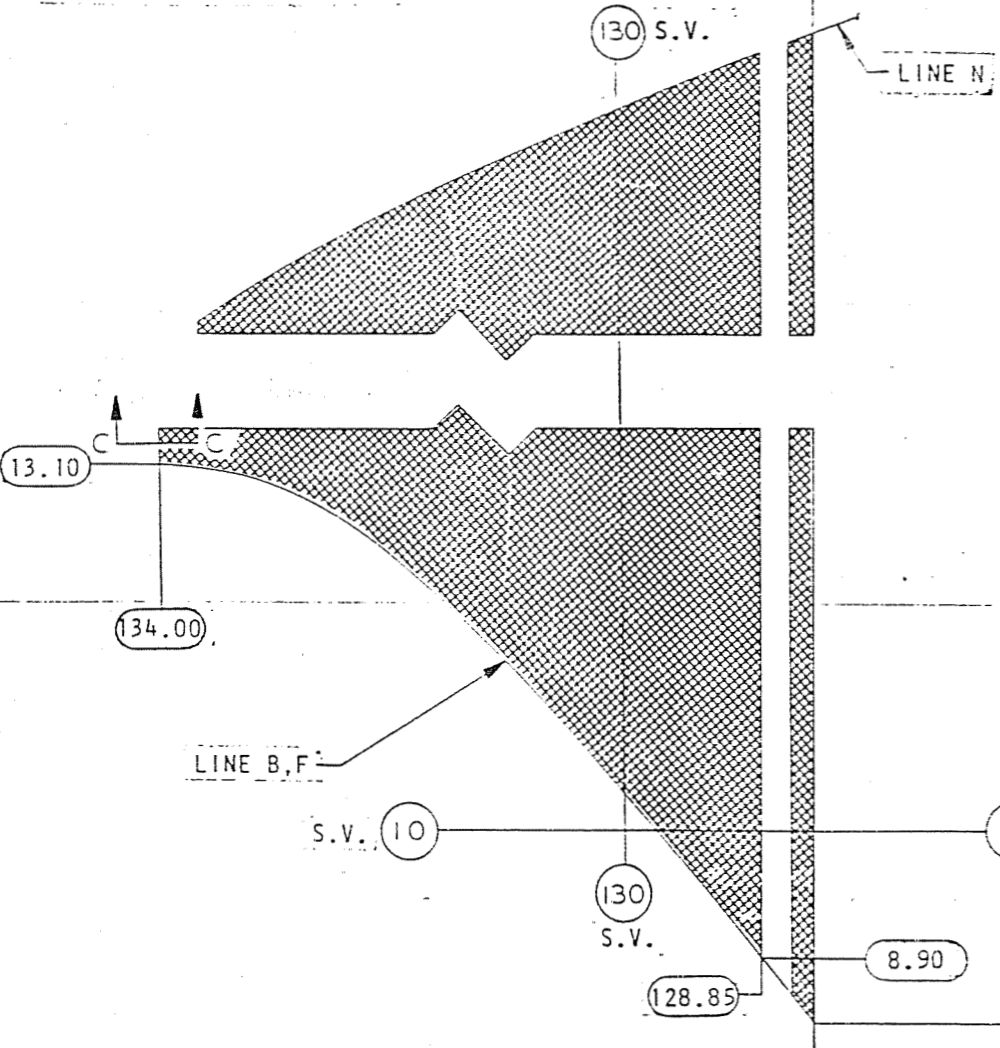
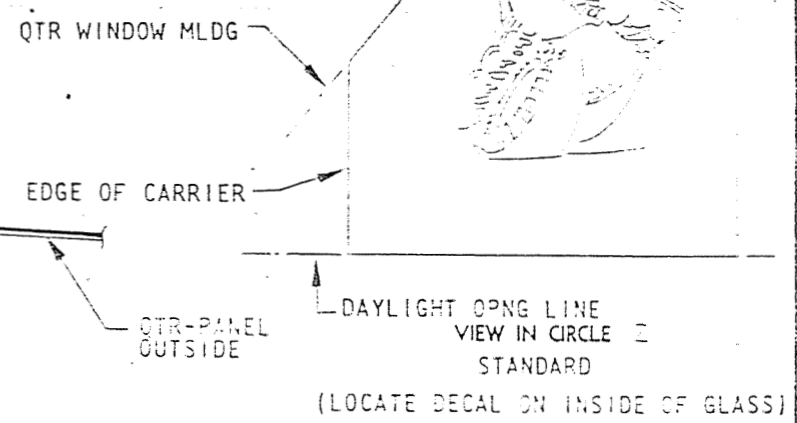
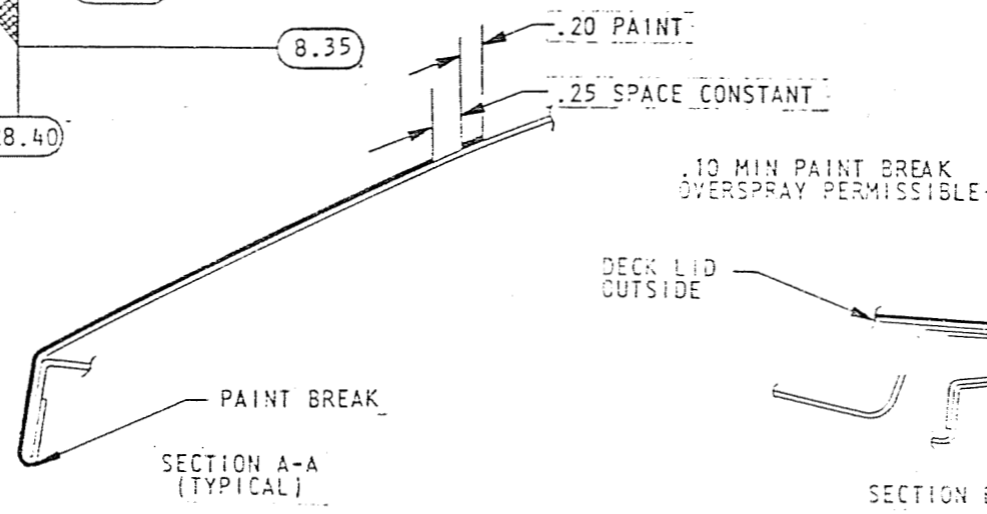
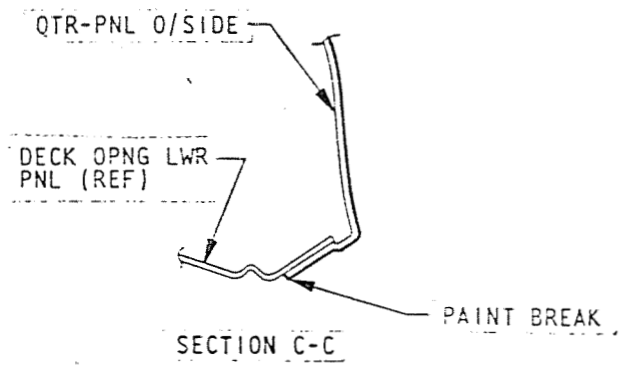
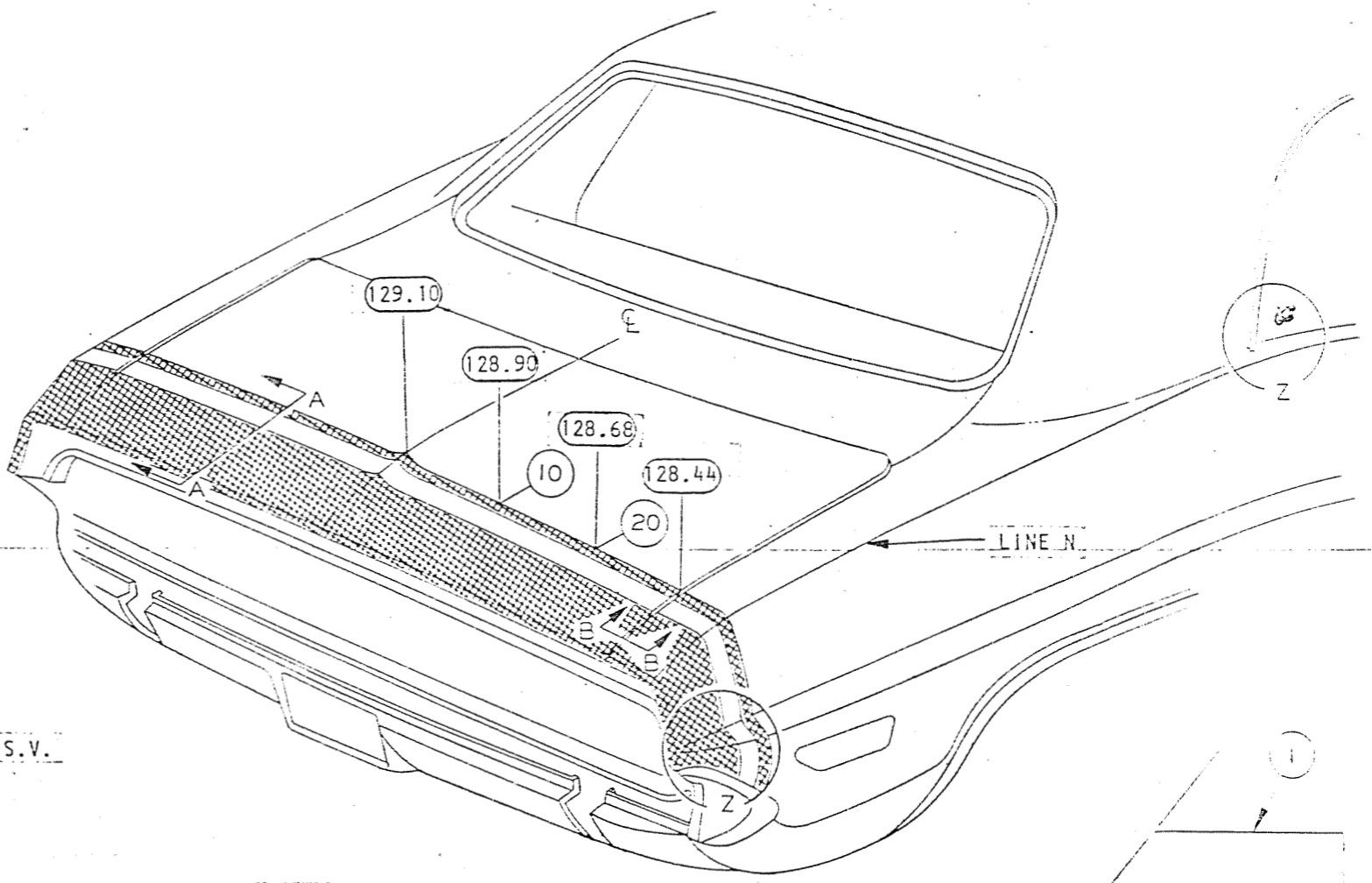


DECAL QTR WDG GLASS  
"SCAT PACK" INSIGNIA



VIEW IN CIRCLE Z



NOTE:  
PAINT PER P.S. 3774  
SAND AND POLISH REQUIREMENTS PER P.S. 3774 AND P.S. 4180 ARE NOT REQUIRED

REF: STY'G L/OUT R39898

90913-014	F	PAINT NOTE ADDED	3/25/59
00307-530-5	E	REVISIONS ADDED	3/25/59
00007-500-2	C	REVISIONS ADDED	3/25/59
90421-530	A	SYMBOL ADDED	3/25/59
91126-190-1	G	UNDER MDS REMOVED	3/25/59
81114-190		RELEASED	3/25/59

PAINT		MODELS	
		F/J-8-00 (\$V90)	F/J55-n-23.27 (\$A66) (\$V90/198)
DRAWN	CHECKED	APP.	APP.
LUBINSKI			
ENGINEERING ILLUSTRATION		PRODUCT PLANNING & DEVELOPMENT STAFF	
DEPT. 3440		CHRYSLER CORPORATION	
PAINT STRIPE DECK LID, QTR PANEL & DECAL		MANUAL NO. 2654909	
		SECTION PAGE 3 18.0	