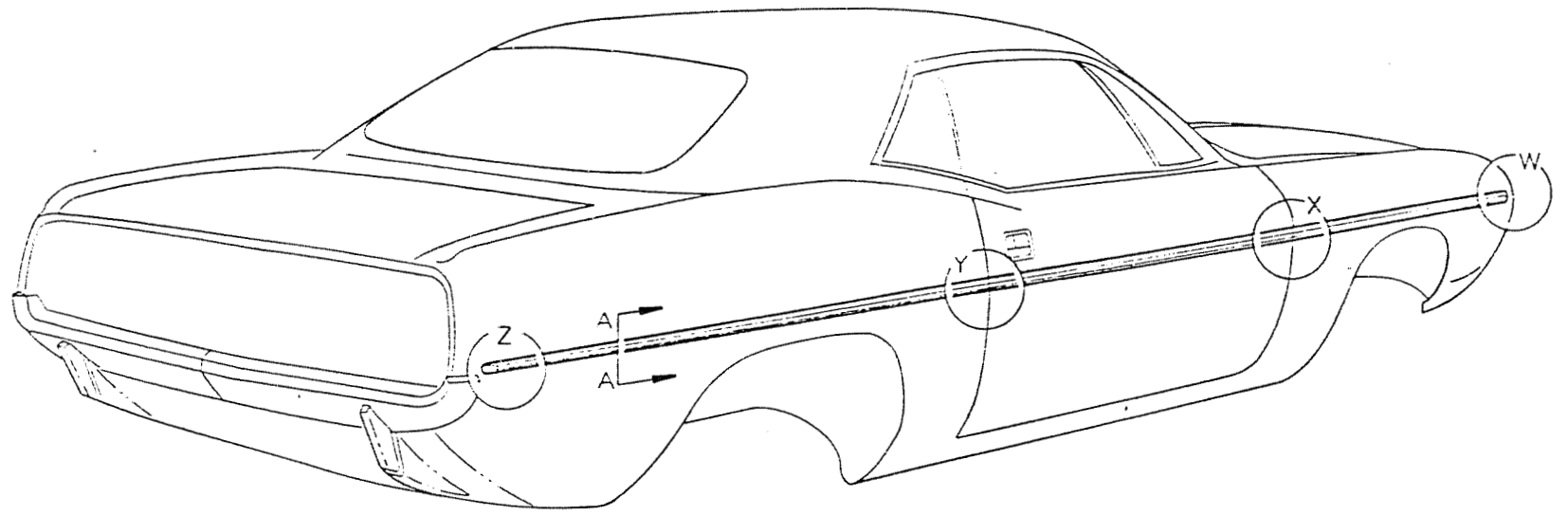


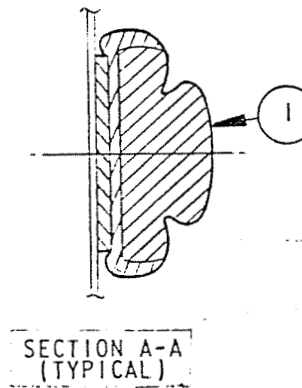
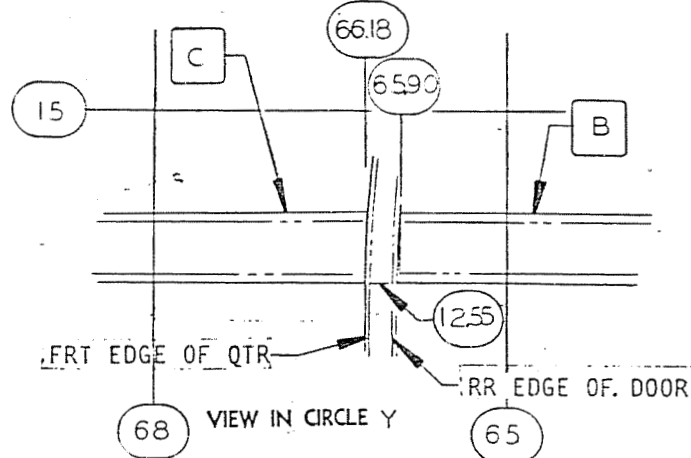
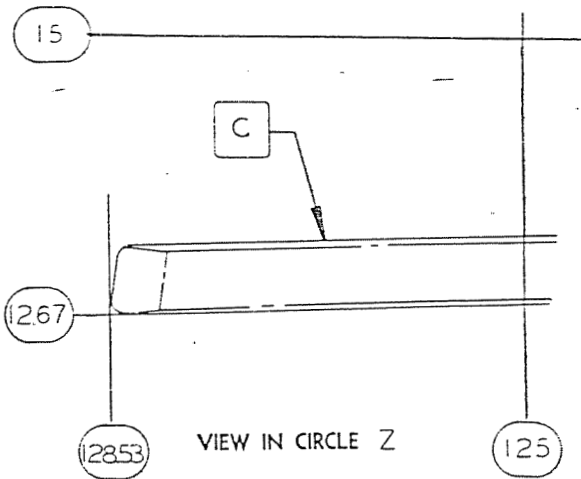
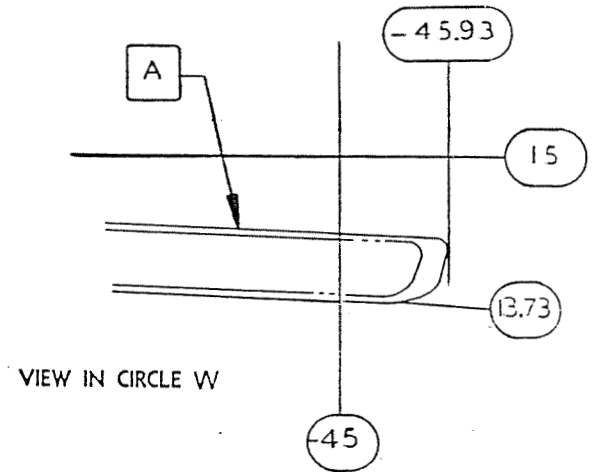
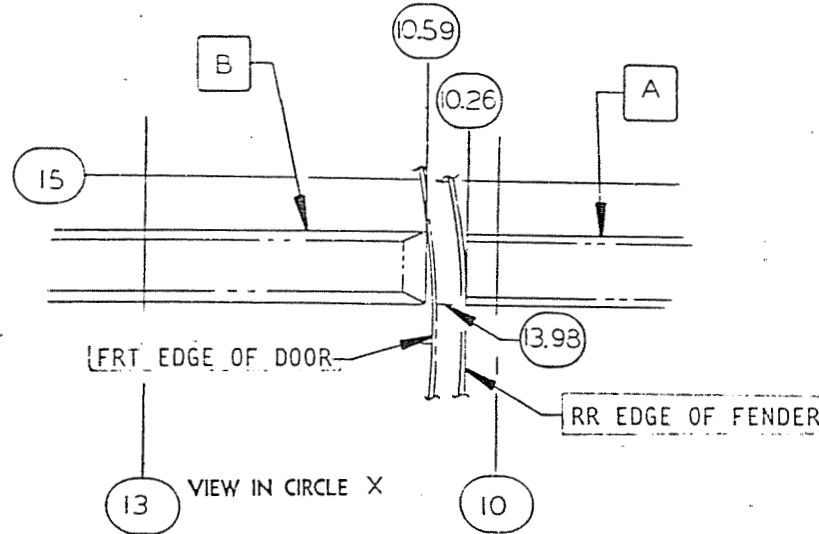
I REMOVE PROTECTIVE PAPER FROM ADHESIVE SIDE OF MOLDING AND APPLY MOLDING TO BODY AS SHOWN PER (P.S. 5103) SEE SECTION AA TYPICAL



A 3613808-9 MOLDING-FENDER OUTSIDE (BLACK)  
 3613910-1 " " " (GOLD) (S/O 3613808)  
 3613812-3 " " " (GREEN)

B 3613820 MOLDING-DOOR OUTSIDE (BLACK)-  
 3613821 " " " (GOLD) (S/O 3613820)  
 3613822 " " " (GREEN)-

C 3613814-5 MOLDING-QUARTER OUTSIDE (BLACK)  
 3613816-7 " " " (GOLD) (S/O 3613814)  
 3613818-9 " " " (GREEN)



NOTE:  
 FOR BODY SIDE TAPE STRIPE APPLICATION SEE PAGE 7.0

|   |  |  |  |  |                                      |  |                  |  |                  |                    |
|---|--|--|--|--|--------------------------------------|--|------------------|--|------------------|--------------------|
| PAINT                                   |  |  |  |  |                                      |  |                  |  |                  |                    |
| MODELS G/B-0-00 SV50/M05, M46, V60, V70 |  |  |  |  |                                      |  |                  |  |                  |                    |
| DRAWN Dufour                            |  |  |  |  | CHECKED J. BLACK                     |  | APP. [Signature] |  | APP. [Signature] | DATE 4-25-69       |
| ENGINEERING ILLUSTRATION                |  |  |  |  | PRODUCT PLANNING & DEVELOPMENT STAFF |  |                  |  |                  | MANUAL NO. 2654909 |
| DEPT. 3440                              |  |  |  |  | ADHESIVE BACKED MOLDING BODY SIDE    |  |                  |  |                  | SECTION B          |
|   |  |  |  |  |                                      |  |                  |  |                  | PAGE 16.0          |

REF L/OUT 342-F-1702