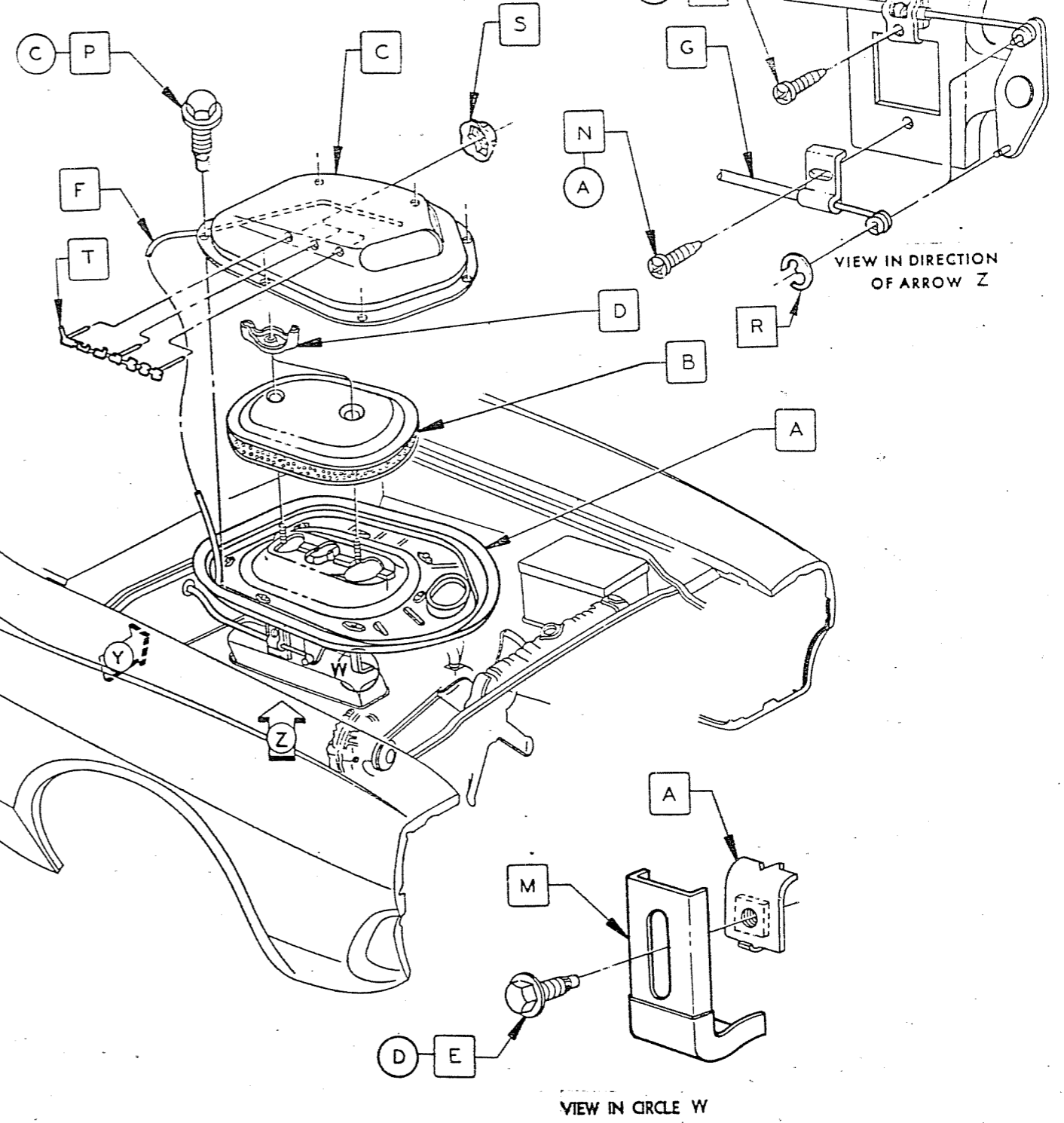
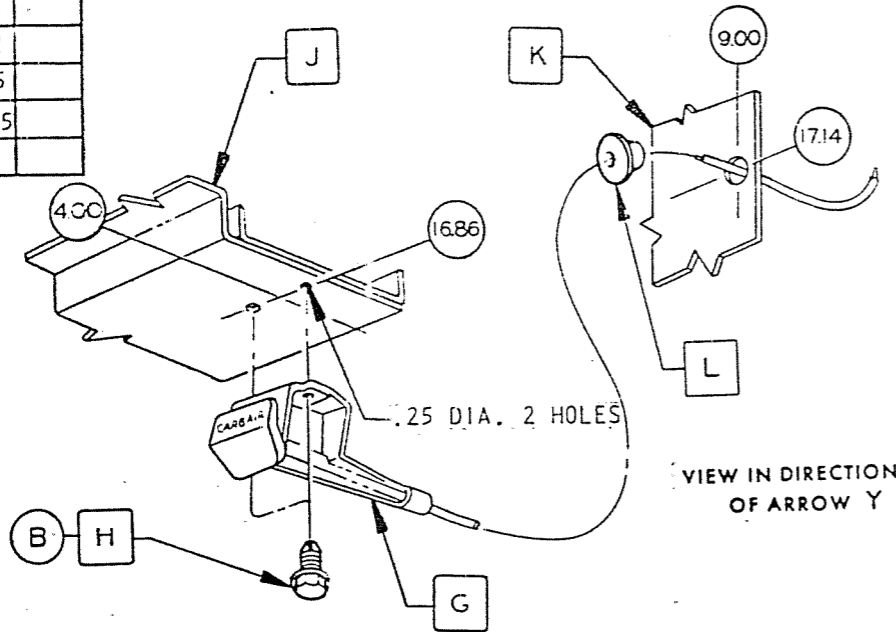


LET	TARGET TORQUE	MIN	MAX	MIN AUDIT
A	12 IN#	9	15	
B	17 IN#	12	22	
C	35 IN#	25	45	
D	95 IN#	75	115	



- A 3577353 (426) CLEANER ASSY-AIR AS PURCHASED  
3462863 (440)
- B 2946186 FILTER AIR CLEANER
- C 3462276 (S/O 3418697) SCOOP ASSY-CARB AIR
- D 6028729 WING NUT (2 REQ'D)
- E 6025318 SCREW & WASHER (2 REQ'D)
- F 3462247 (S/O 3462262) CABLE ASSY-CARB AIR SCOOP DOOR CONTROL
- G 3462264 (S/O 3462263) CABLE ASSY-DASH TO CARB AIR SCOOP DOOR CONTROL
- H 19419267 SCREW & WASHER (2 REQ'D)
- J PANEL-INSTRUMENT
- K PANEL-DASH
- L GROMMET
- M 3418693 (440) FOOT AIR CLEANER FILTER (2 REQ'D)  
3418694 (426) RET SUPT BRKT (2 REQ'D)
- N 9414711 SCREW
- P 6025312 (S/O 6025300) SCREW & WASHER (7 REQ'D)
- R 6028872 CLIP (2 REQ'D)
- S 9420277 NUT (6 REQ'D)
- T 3462269 (E-74 ENGINE) NAMEPLATE-ENGINE IDENTIFICATION (2 REQ'D)  
3462273 (S/O 3462270) (E-87 ENGINE) ("B" ONLY)  
3462489 (RT) (E-74 ENGINE)  
3462990 (LT)  
3462491 (RT) ("J" ONLY)  
3462492 (LT) (E-87 ENGINE)

NAMEPLATE-ENGINE IDENTIFICATION (2 REQ'D)

**INSTRUCTIONS**

MODELS		FG/BJ-0-00 1N96		EXC G/B74-S-00 (STD)	
TO AGREE WITH RELEASE	E	IC/OUT A WAS 3462862 (426) & FG/374-S-00 WAS STD	1/25/69	DATE	5-13-69
	D	G SER MODELS ADDED	1/26/69	MANUAL NO.	2654911
90908-191	C	63 & 86 ENG ADDED TO MODELS	9/26/68	SECTION	E
	B	TORQUE INFO ADDED	10/10/68	PAGE	12.0
00005-500-1	A	"J" CAR LINE ADDED	10/16/68		
C.R. NO.	LET	WAS	DATE (DR/CK/R)	C.R. NO.	LET

ENGINEERING ILLUSTRATION

DEPT. 3440  
 DRAWN: J. Zwick  
 CHECKED: J. BLACK  
 APP: [Signature]  
 DATE: 5-13-69  
 PRODUCT PLANNING & DEVELOPMENT STAFF  
 CHRYSLER CORPORATION

CARBURETOR FRESH AIR SYSTEM