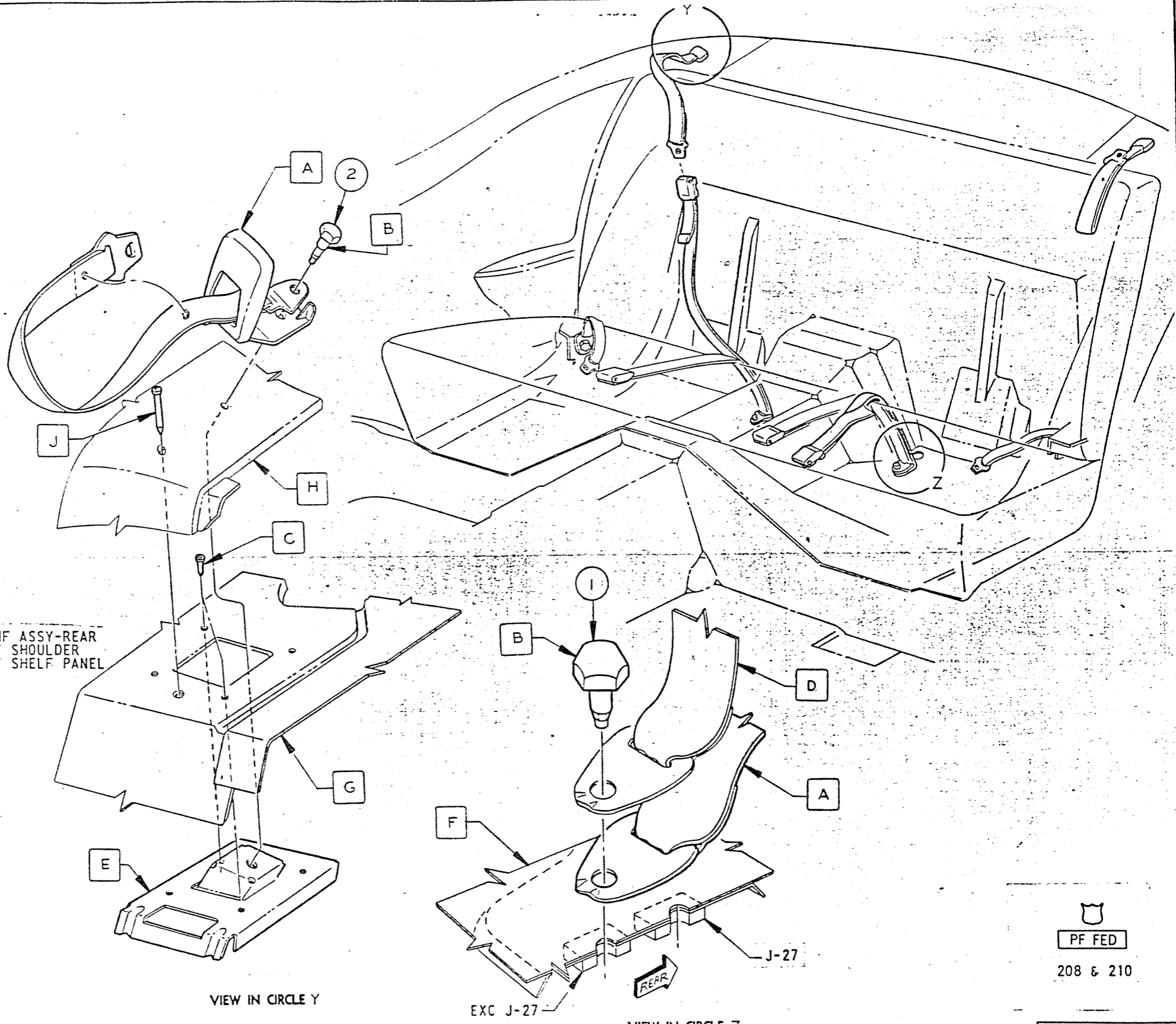


INSTALLATION PROCEDURE

- 1 INSTALL BUCKLE HALF OF C/OUT A TO THE INBOARD LAP BELT REAR SEAT ANCHOR (SEE VIEW IN CIRCLE Z)
- 2 INSTALL C/OUT E TO G USING C/OUT C AFTER INSTALLATION OF C/OUT H INSTALL TIP HALF OF C/OUT A TO C/OUT E USING C/OUT B (SEE VIEW IN CIRCLE Y)



- A 2999632 BELT ASSY-SHOULDER
- B 6027311 (S/O 6027310) BOLT
- C 9417312 SCREW
- D BELT ASSY-REAR SEAT LAP COMP
- E 3454584-5 (B-00) REINF ASSY-REAR SEAT SHOULDER BELT SHELF PANEL
3454578-9 (J-00) (S/O 3454584)
- F FLOOR PAN ASSY
- G EXT-SHELF PNL
- H PANEL-QUARTER TRIM
- J SCREW-PANEL QUARTER TRIM

VIEW IN CIRCLE Y

EXC J-27

VIEW IN CIRCLE Z

PF FED
208 & 210

INSTRUCTIONS

CR NO	LET	WAS	DATE DRCK P	CR NO	LET	WAS	DATE DRCK P

MODELS FG/BJ-0-23, 29

ENGINEERING ILLUSTRATION DEPT. 3440

REAR SEAT SHOULDER BELT

DATE 3-24-69

MANUAL NO. 2654911

SECTION E PAGE 5.0

CHRYSLER CORPORATION

PRODUCT PLANNING & DEVELOPMENT STAFF

DRAWN J. BLACK

CHECKED [Signature]

APP. [Signature]

APP. [Signature]

DATE 3-24-69