

INSTALLATION PROCEDURE

- 1 REMOVE THE PRODUCTION PLUGS USED TO EXCLUDE PAINT FROM THE WELD NUTS
- 2 (OUTBOARD BELTS)
INSTALL C/OUT A & C TO C/OUT E AS SHOWN IN VIEW IN CIRCLE Y
- 3 (INBOARD BELTS)
INSTALL C/OUTS A & C TO C/OUT D AS SHOWN IN VIEW IN CIRCLE Z
- 4

A (F SERIES)
2999631 (STD)
(G SERIES)
3508281 (STD) — ASSY-REAR SEAT SAFETY BELT COMP
(LESS COLOR) (2 REQ'D)

B

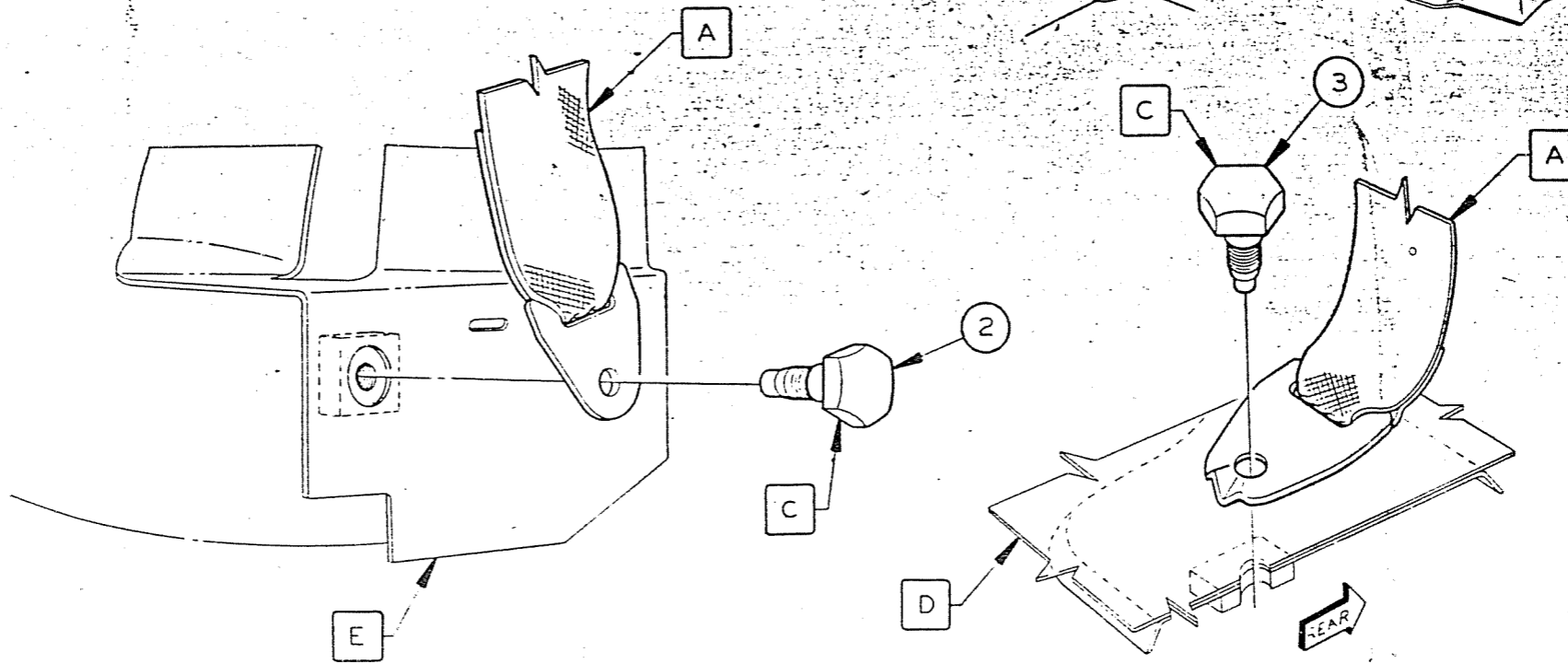
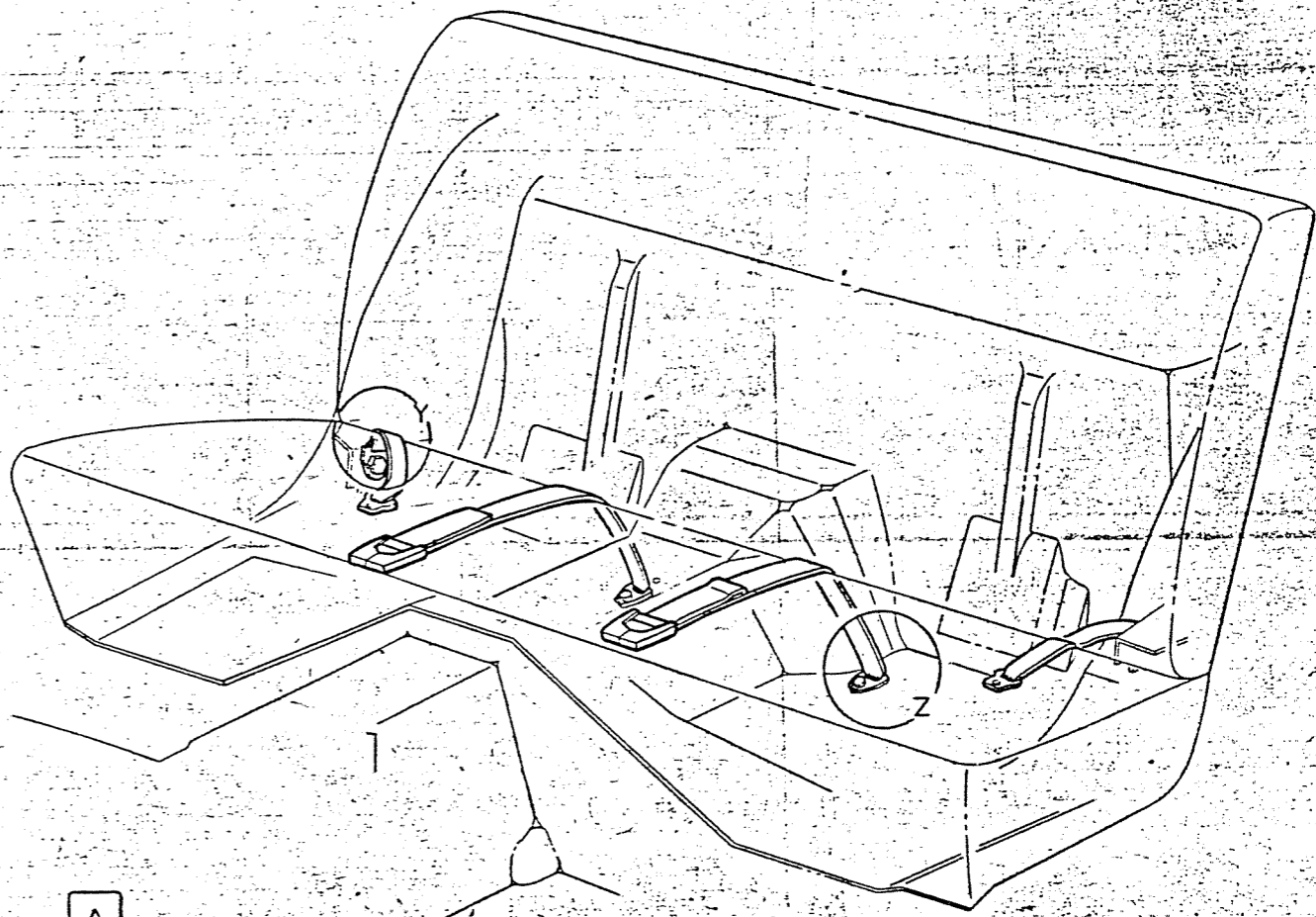
C 6029171 (S/O 6027310) SHOULDER BOLT

D ASSY-FLOOR PAN

E ASSY-WHEELHOUSE

F

G



VIEW IN CIRCLE Y

VIEW IN CIRCLE Z

PF FED
208 & 210

INSTRUCTIONS

		E G SERIES INFO ADDED 2/70		MODELS FG/BJ-0-00	
		D C/OUT 2 REVISED 3/70		DRAWN A. C. S. / CHECKED J. BLACK / APP. [Signature] / DATE 3-24-69	
		C VIEW 2 REVISED-NUT & HOLE 1/69		PRODUCT PLANNING & DEVELOPMENT STAFF	
00603-190		C/OUT 2 IF S. C. BELT COMP 3508281 REMOVED FROM C/OUT A		CHRYSLER CORPORATION MANUAL NO. 2654911	
A		C/OUT A 3508281 APPR. [Signature]		DEPT. 3440 REAR SEAT LAP BELT	
CP 30		LET		SECTION PAGE	