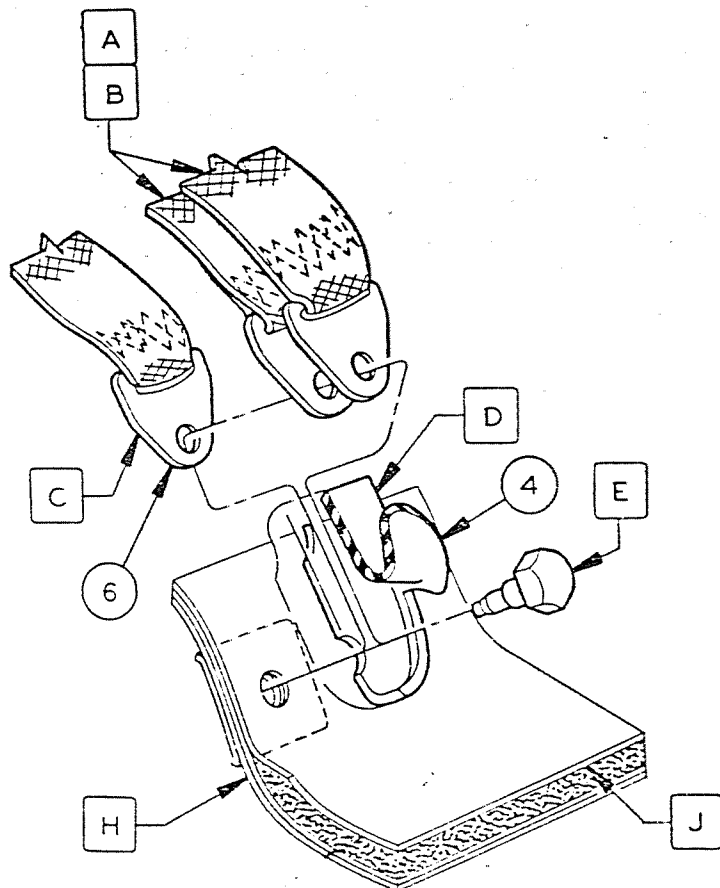
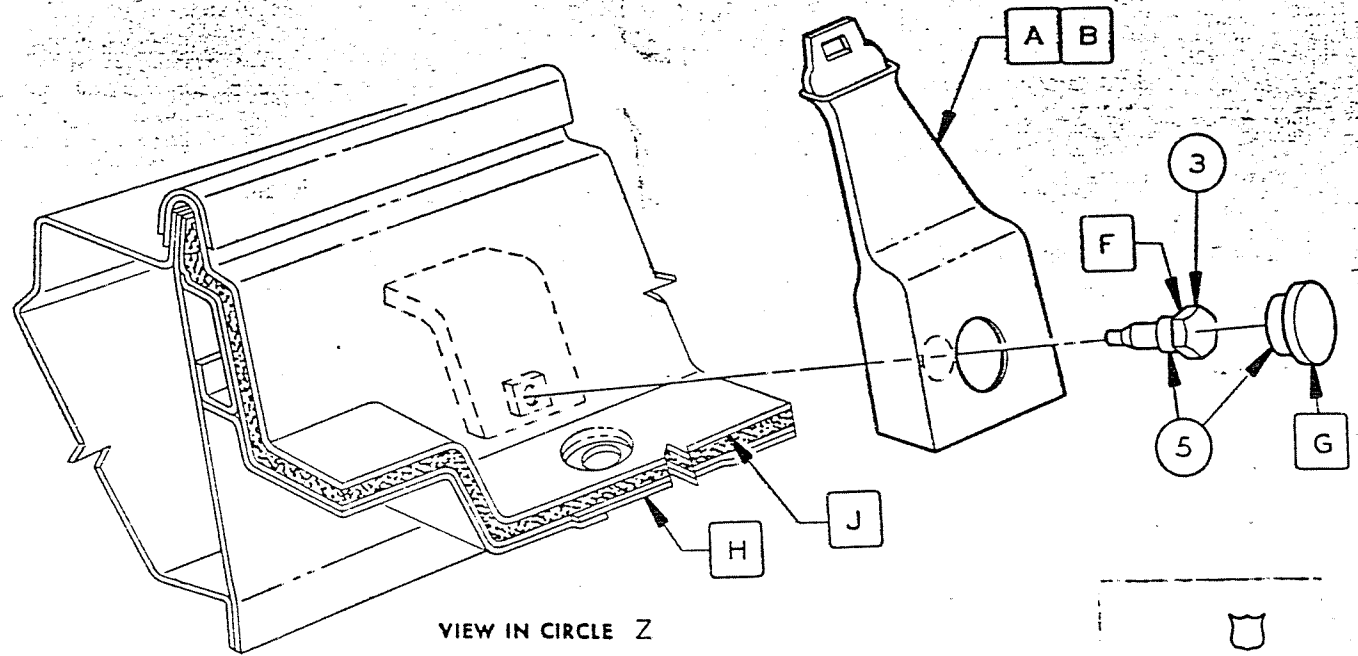


ALL BUCKET SEAT APPLICATIONS



VIEW IN CIRCLE X & Y

INSTALLATION



VIEW IN CIRCLE Z

INSTALLATION

PF FED  
208 & 210

INSTRUCTIONS


MODELS G/BJ-0-00

ENGINEERING ILLUSTRATION

DRAWN BY JYALINSEI, E.A.H. CHECKED BY [Signature] DATE 2-12-70

PRODUCT PLANNING & DEVELOPMENT STAFF CHRYSLER CORPORATION

MANUAL NO. 2654911

DEPT. 3050

FRONT SEAT LAP BELT

SECTION E PAGE 15.0

SEE PAGES 15.1, 15.2, 15.3, 15.4, 15.5, 15.6, 15.7, 15.8, 15.9, 16.0, 16.1, 16.2, 16.3, 16.4, 16.5, 16.6, 16.7, 16.8, 16.9, 17.0, 17.1, 17.2, 17.3, 17.4, 17.5, 17.6, 17.7, 17.8, 17.9, 18.0, 18.1, 18.2, 18.3, 18.4, 18.5, 18.6, 18.7, 18.8, 18.9, 19.0, 19.1, 19.2, 19.3, 19.4, 19.5, 19.6, 19.7, 19.8, 19.9, 20.0