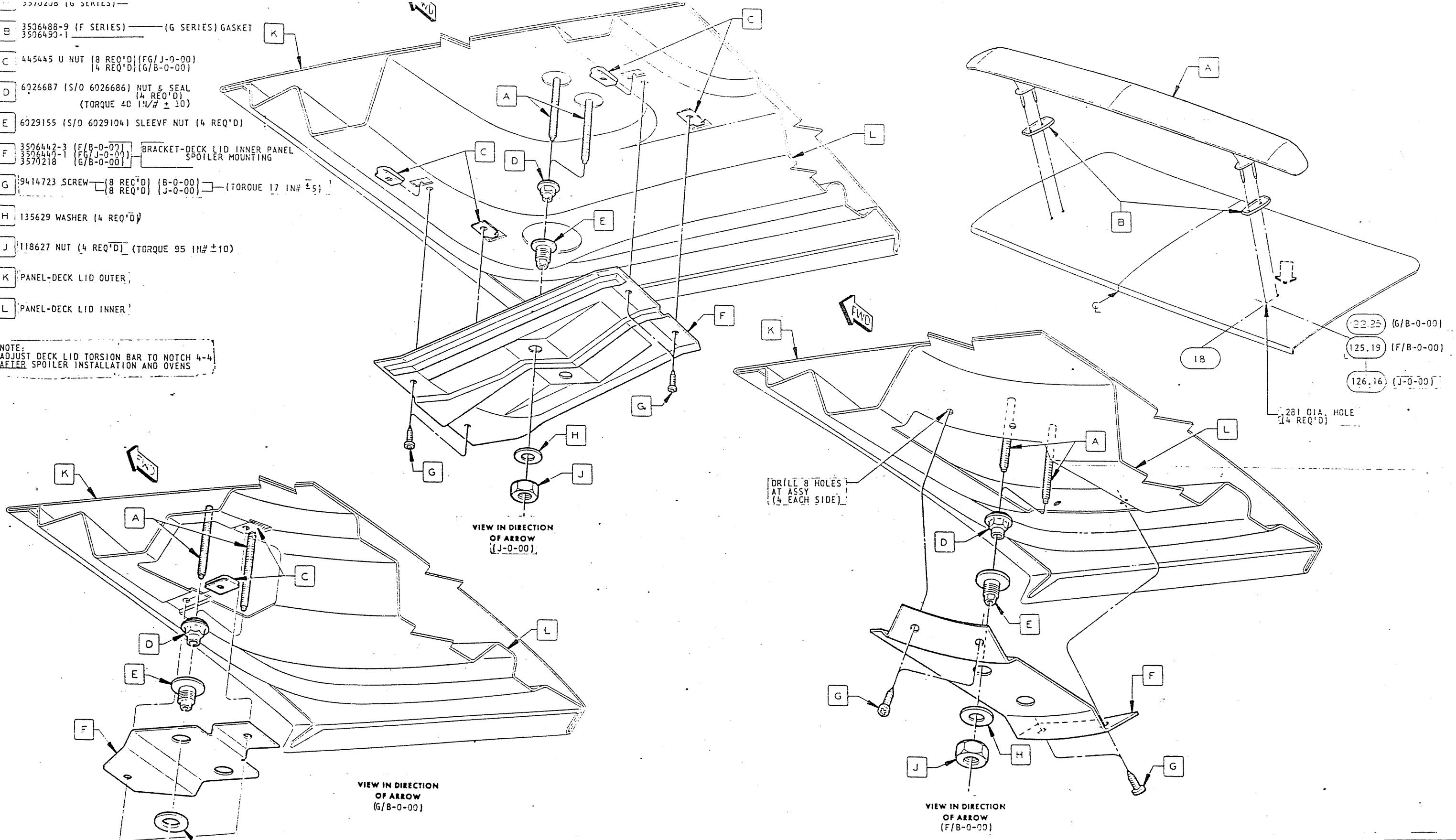


- B 3536488-9 (F SERIES) (G SERIES) GASKET  
3506490-1
- C 445445 U NUT (8 REQ'D) (FG/J-0-00)  
(4 REQ'D) (G/B-0-00)
- D 6026687 (S/O 6026686) NUT & SEAL  
(4 REQ'D)  
(TORQUE 40 IN# ± 10)
- E 6029155 (S/O 6029104) SLEEVE NUT (4 REQ'D)
- F 3506442-3 (F/B-0-00) BRACKET-DECK LID INNER PANEL  
3506440-1 (FG/J-0-00) SPOILER MOUNTING  
3570218 (G/B-0-00)
- G 9414723 SCREW (8 REQ'D) (B-0-00) (TORQUE 17 IN# ± 5)  
(8 REQ'D) (J-0-00)
- H 135629 WASHER (4 REQ'D)
- J 118627 NUT (4 REQ'D) (TORQUE 95 IN# ± 10)
- K PANEL-DECK LID OUTER
- L PANEL-DECK LID INNER

NOTE:  
ADJUST DECK LID TORSION BAR TO NOTCH 4-4  
AFTER SPOILER INSTALLATION AND OVENS



INSTRUCTIONS

MODELS FG/BJ55,63,74,86,87-0-00										
					DRAWN <i>Yuhay</i>		CHECKED <i>HEIER</i>		APP. DATE <i>PT</i> 12-11-69	
					ENGINEERING		PRODUCT PLANNING & DEVELOPMENT STAFF		MANUAL NO. 2654911	
					DEPT. 3050		CHRYSLER CORPORATION		SECTION D	
							REAR SPOILER		PAGE 15.0	