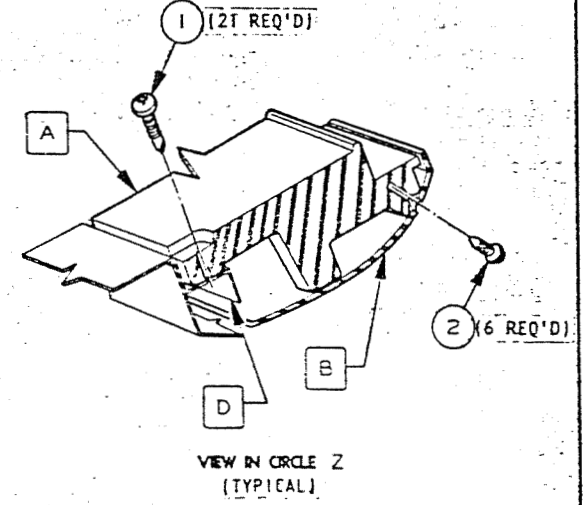
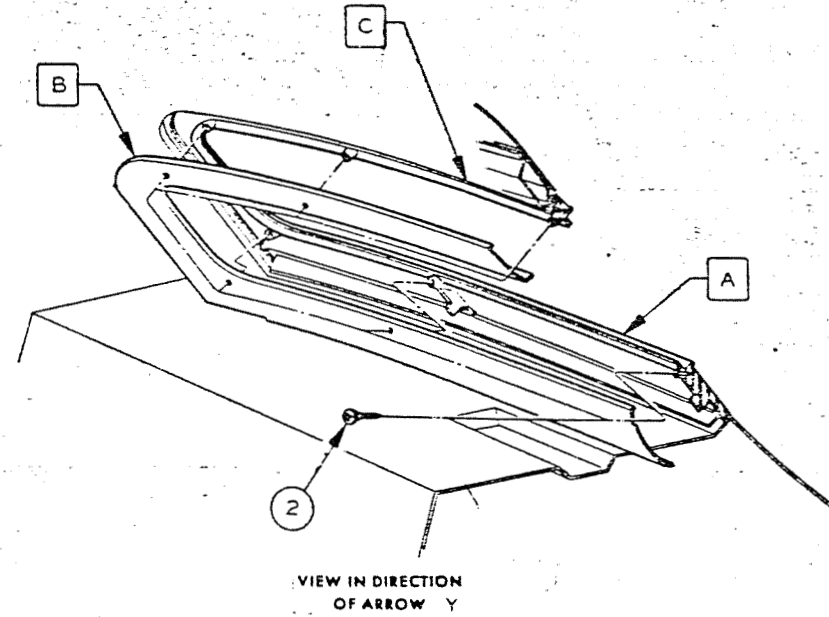
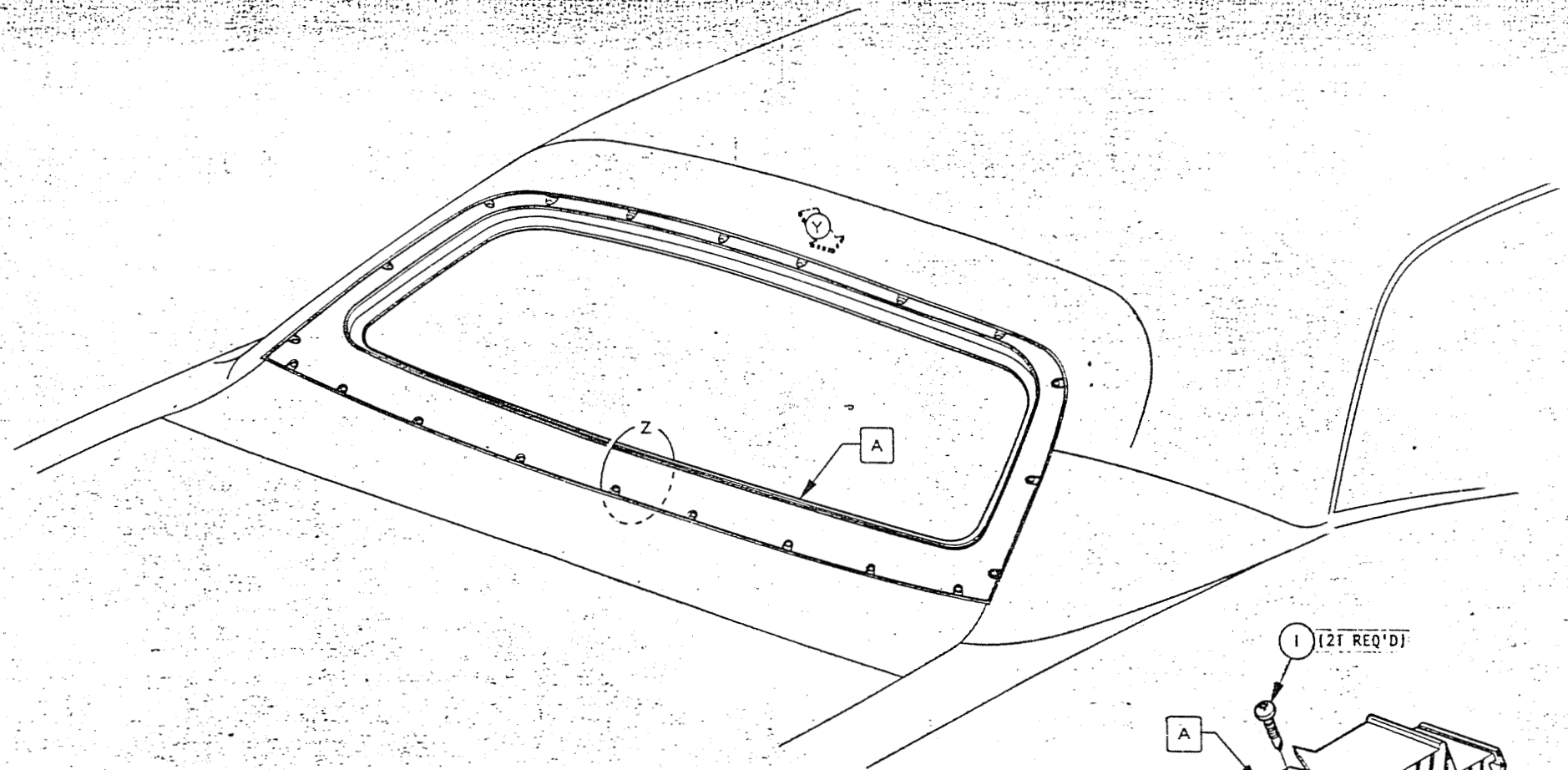


- 1 6029156 SCREW-DRILL TYPE
- 2 6025581 (S/O 6025580) SCR & WA ASSY

- A 3444076 FRAME-RR WDO OPNG
- B 2879888 FOUNDATION-RR WDO OPNG TRIM PNL
- C RR WDO UPR FRAME ASSY
- D RR WDO LWR FRAME ASSY



INSTRUCTIONS

C.R. NO.	LET	DATE	DRICK #	C.R. NO.	LET	DATE	DRICK #
14103-530	C			6029156	A		
91017-903	B			6025581	2		

MODELS		F/J-0-29 & G/J-0-23 S/CODE A78	
ENGINEERING ILLUSTRATION	DEPT. 3440	DRAWN LUBINSKI	CHECKED J. BLACK
		APP. EP	APP. SU
		DATE	4-21-69
		PRODUCT PLANNING & DEVELOPMENT STAFF	CHRYSLER CORPORATION
REAR WINDOW OPENING FRAME		SECTION	PAGE
		0	14.0