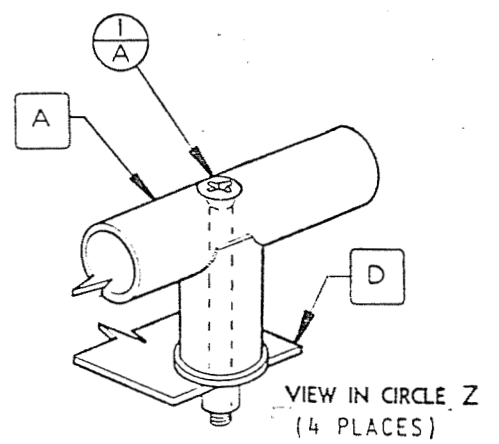
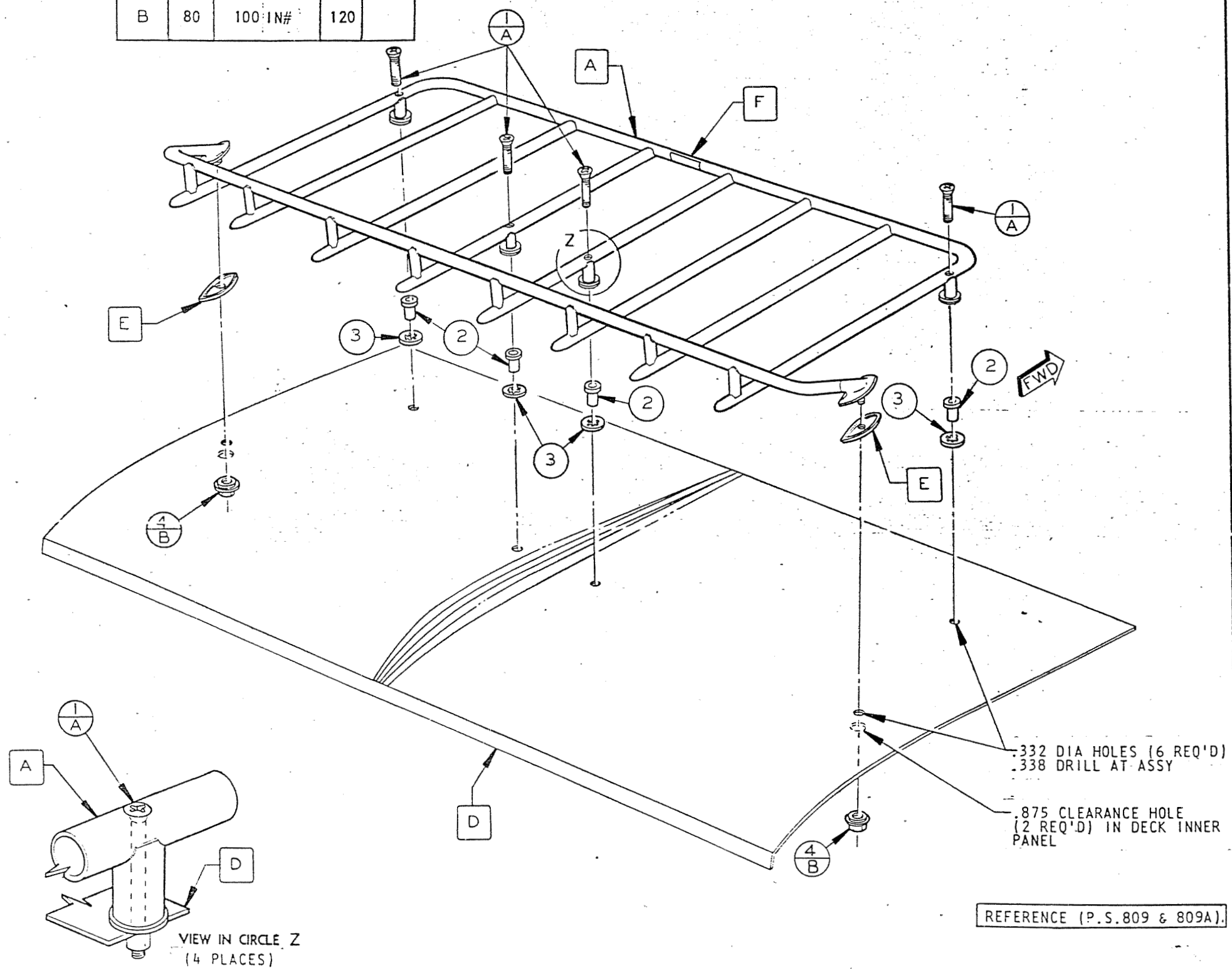


- 1 6028875 (S/O 6028475) SCREW (4 REQ'D)
- 2 6016015 NUT-RIVETING (4 REQ'D)
- 3 138538 WASHER-INTL TOOTH LOCK (4 REQ'D)
- 4 6028604 NUT&WASHER (2 REQ'D)

TORQUE				
LET	MIN	TARGET	MAX	MIN CHECK
A	30	40 IN #	50	
B	80	100 IN#	120	

- A 3445410 RACK ASSY-DECK LID LUGGAGE  
3445409 PACKAGE-DECK LID LUGGAGE (REF)
- B
- C
- D PANEL-DECK LID OUTSIDE
- E PAD-DECK LID LUGGAGE RACK  
MTG REAR SUPT
- F DECAL-DECK LID LUGG RACK  
LOAD LIMIT



REFERENCE (P.S. 809 & 809A)

**INSTRUCTIONS**

CR NO	LET	WAS	DATE DESIGNED	CR NO	LET	WAS	DATE DESIGNED

MODELS FG/BJ-0-00 (S/CODE M91)

DRAWN	CHECKED	APP	APP	APP	DATE
Dufour	J. BLACK	RT	RT	RT	3-20-69

ENGINEERING ILLUSTRATION

DEPT. 3440

PRODUCT PLANNING & DEVELOPMENT STAFF

CHRYSLER CORPORATION

MANUAL NO. 2654911

SECTION PAGE D 11.0

TO AGREE WITH RUL  
90728-959-1 D  
90728-959 C  
90513-167 B  
A

C/OUT B & C REMOVED & VIEW Z REVISED  
TORQUE A WAS 95 IN #  
TORQUE B WAS 200 #20  
C/INT 1 WAS 6028603  
G SER NUMS ADDED

4/5/69  
5/7/69  
9/5/69  
1/5/70