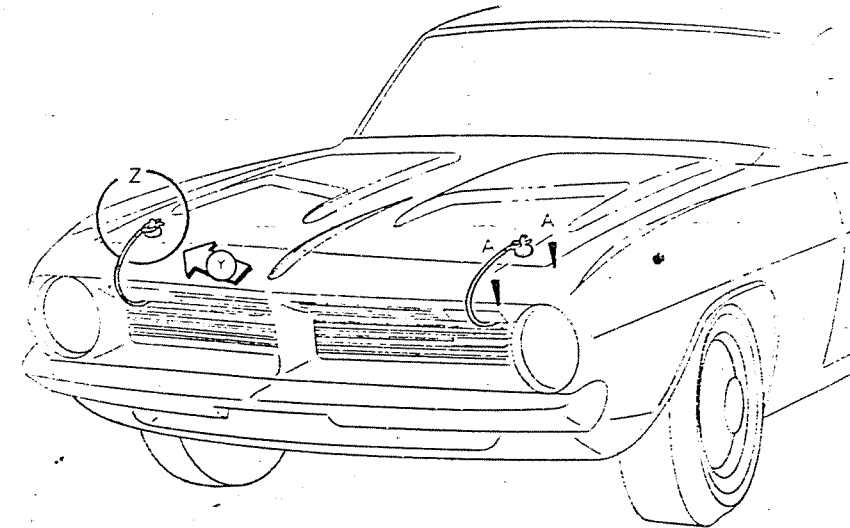
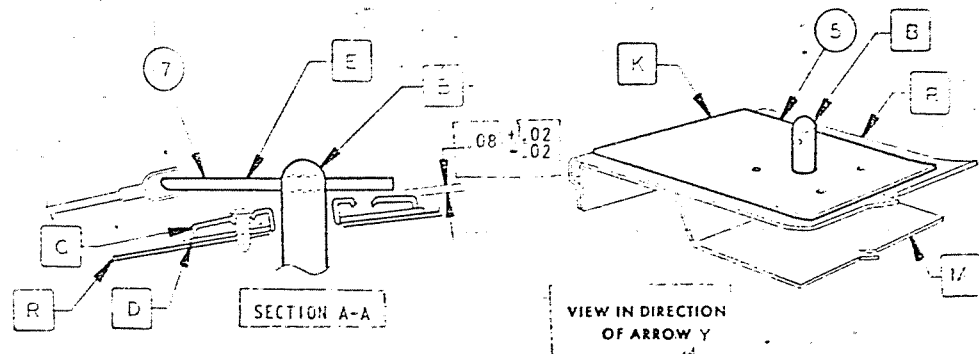
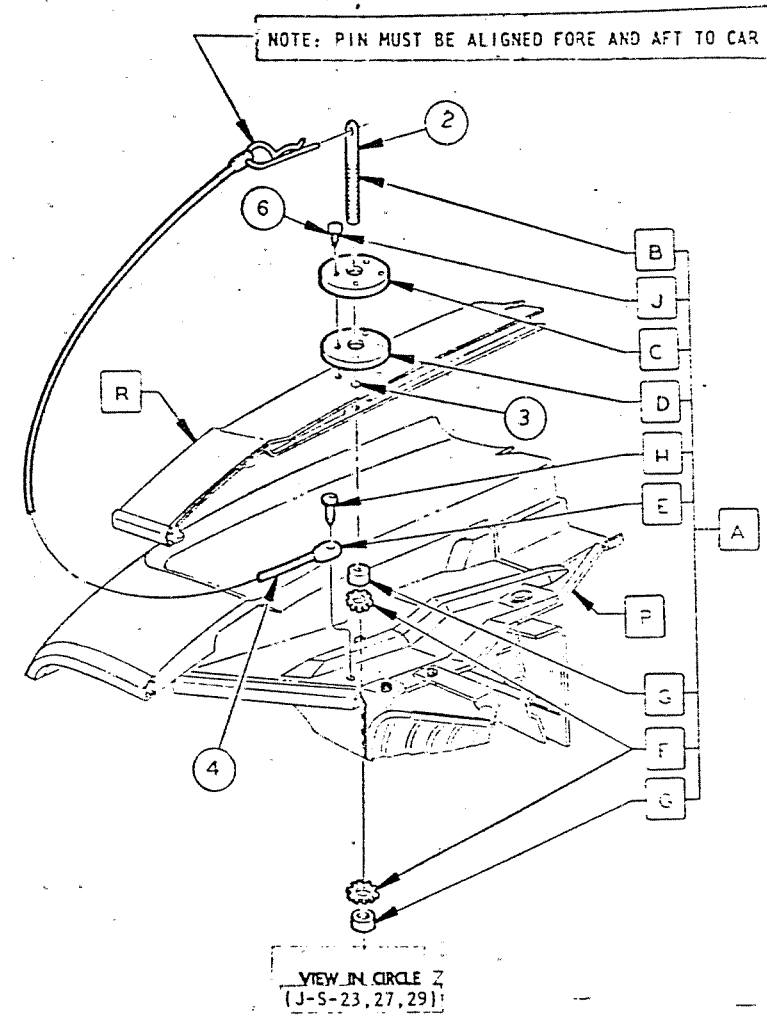
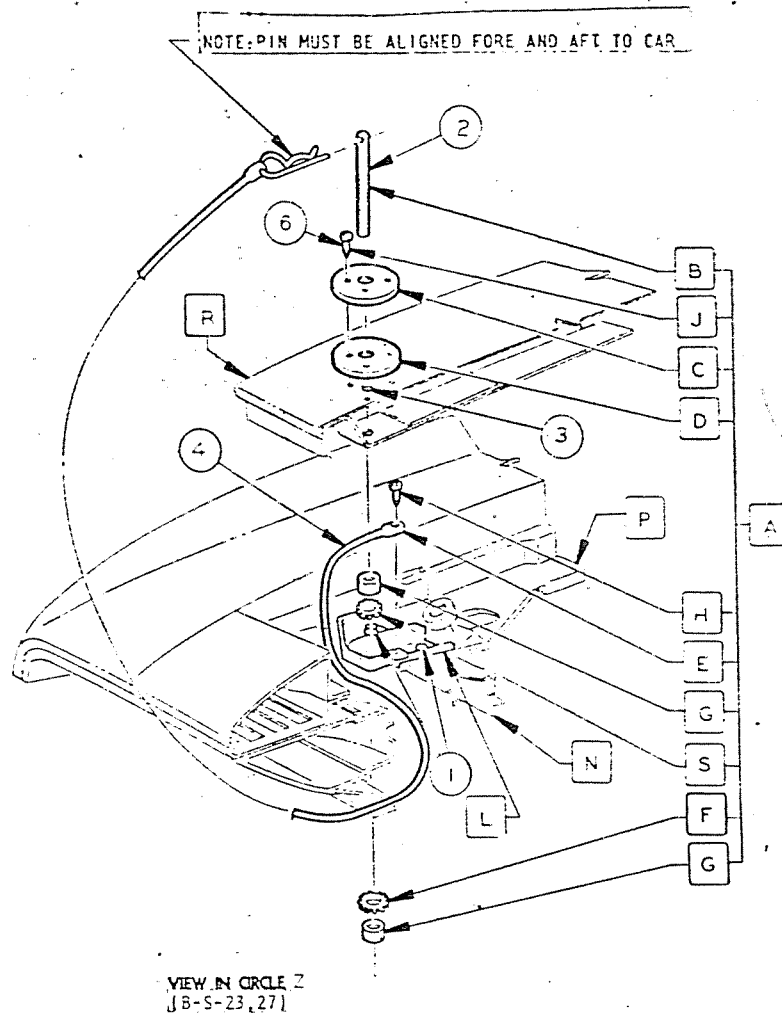


INSTALLATION PROCEDURE

1. (B-5-23, 27) REMOVE ATTACHING BOLTS FROM C/OUT P TO N. INSTALL C/OUT L TO P AND N WITH ATTACHING BOLTS.
2. INSTALL C/OUT B THROUGH C/OUT P (J-23, 27, 29) OR C/OUT L (B-23, 27) USING C/OUT G & F. TIGHTEN C/OUT G TO 30 = 10 FT LBS.
3. LOCATE AND DRILL (1) 1.12 DIA HOLE IN C/OUT R.
4. INSTALL C/OUT E TO C/OUT P (J-23, 27, 29) OR C/OUT L (B-23, 27) USING C/OUT H (B-23, 27) FIRST ROUTE C/OUT B THROUGH THE GRILLE-RAD JUST BELOW PARKING LAMPS.
5. CLOSE HOOD AND PLACE C/OUT K OVER C/OUT B, ALIGNING WITH EDGE OF HOOD. LOCATE AND DRILL (4) .12 DIA. HOLES.
6. INSTALL C/OUTS C & D USING C/OUT J.
7. INSERT PIN END OF C/OUT E INTO C/OUT B FROM FRONT OF CAR, CHECKING TO TOLERANCE SHOWN IN SECTION A-A. HEIGHT OF C/OUT B MAY BE ADJUSTED USING C/OUTS F & G.



- A 3508950 (B-5-23, 27) PACKAGE-HOOD CENTER STUD & 3508513 (J-5-23, 27, 29) SPRING PIN
- E 3508505 STUD-HOOD CORNER
- C 3508506 BEZEL-HOOD CORNER STUD
- D 3508507 GASKET-HOOD CORNER STUD BEZEL
- E 3508952 (B-5-23, 27) CABLE & SPRING PIN ASSY-HOOD 3508539 (J-5-23, 27, 29) CORNER STUD
- F 135629 WASHER-LOCK
- G 453285 NUT-HOOD CORNER STUD
- H 9414713 SCREW-HOOD CORNER STUD SPRING PIN RETURN CABLE
- J 9417515 SCREW-HOOD CORNER STUD BEZEL ATT
- K 3508904 TEMPLATE-HOOD CORNER STUD BEZEL
- L 3508570-1 (B-5-23, 27) BRACKET-HOOD CORNER PIN SUPPORT
- M PANEL-HOOD INNER
- N CROSSMEMBER-RAD YOKE
- P EXT ASSY-FENDER FLANGE FRONT
- R PANEL-HOOD OUTER
- S 6023054 WASHER-LOCK



01021-160	F	PF SAFETY REMOVED	10/10/69
00525-160	E	PF SAFETY ADDED FOR S/C J45	8/3/69
	D	G SERIES HOODS ADDED	10/16/69
90721-96A	C	C/OUT 5 UPPER WASHER WAS C/OUT F	10/16/69
	B	TUNING ADDED TO C/OUT 2	11/1/69
00007-500-2	A	FJ355-B-23, 27 ADDED	1/16/69
90213-191		RELEASED	

MODELS		FG/B-5-23, 27 (STD) FG/J-5-23, 27, 29 FG/J55-H-23, 27 (\$J45)	
DRAWN	CHECKED	APP.	APP.
THALIE	J. BLACK	RT	U
ENGINEERING ILLUSTRATION		CHRYSLER CORPORATION	
DEPT. 3440		HOOD TIE DOWN PINS	
DATE	5-14-69	MANUAL NO.	2654911
SECTION	E	PAGE	14.0