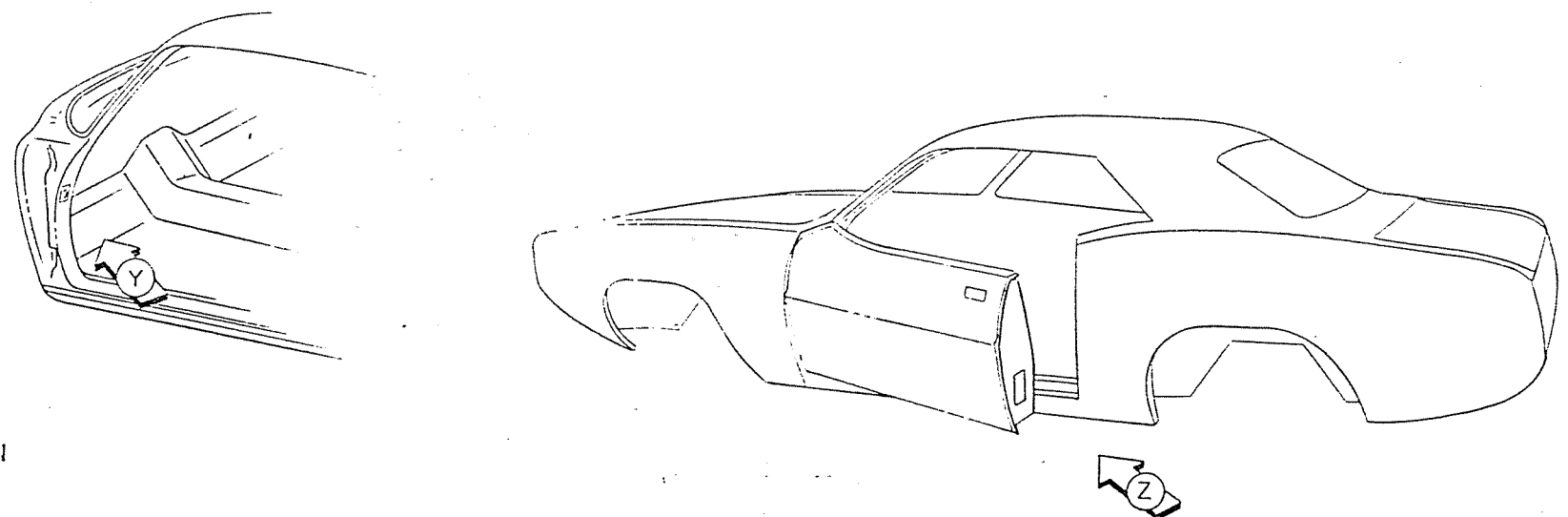
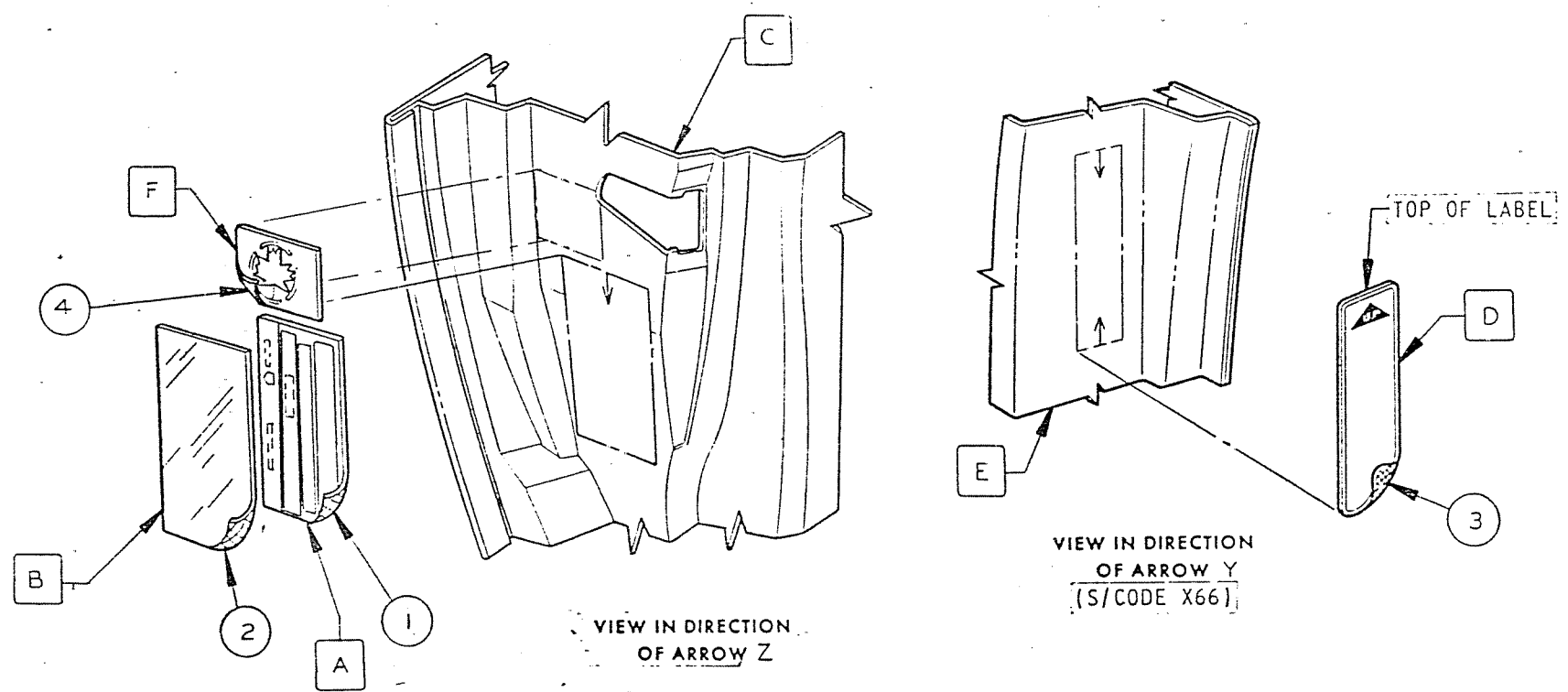


- 1 APPLY ADHESIVE SIDE OF C/OUT A AT COINED ARROW ON C/OUT C PER (P.S. 4941)
- 2 APPLY ADHESIVE SIDE OF C/OUT B OVER C/OUT A TO C/OUT C PER (P.S. 4941)
- 3 APPLY ADHESIVE SIDE OF C/OUT D BETWEEN COINED ARROWS ON C/OUT E PER (P.S. 4941)
- 4 APPLY ADHESIVE SIDE OF C/OUT F ABOVE C/OUT A ON C/OUT C PER (P.S. 4941)



- A 3582050(USA) (S/O 3440934) LABEL-VEHICLE CERTIFICATION  
3582051(CANADA)
- B 3499024-OVERLAY
- C INSIDE DOOR PANEL
- D (S/CODE X66)  
2895255 LABEL-VEHICLE EXPORT
- E PILLAR-BODY FRONT LWR-LT
- F 3582052 (CANADA) LABEL-SAFETY



**INSTRUCTIONS**

C.R. NO.	LET	WAS	DATE (DR/CK) R	C.R. NO.	LET	WAS	DATE (DR/CK) R
19010-F12A	E	3440934	ADDED TO C/OUT A				
19010-F12	D	C/O A WAS 3581777	C/OUT F & 4 ADDED				
00130-162-A	C	C/OUT "A" WAS 3440934					
	B	G SER MODS ADDED					
00004-500	A	CERT. LABEL LOCATION	REVISED				

MODELS		FG/BJ-0-00	
DRAWN	CHECKED	APP	DATE
R.A.Z.	J. BLACK	R.P.	12-10-68
PRODUCT PLANNING & DEVELOPMENT STAFF		APP	DATE
CHRYSLER CORPORATION		2/11/69	12-10-68
ENGINEERING ILLUSTRATION			MANUAL NO.
DEPT. 3440			2654911
LOCATION-VEHICLE CERTIFICATION LABEL			SECTION
			15
			PAGE
			10.0