

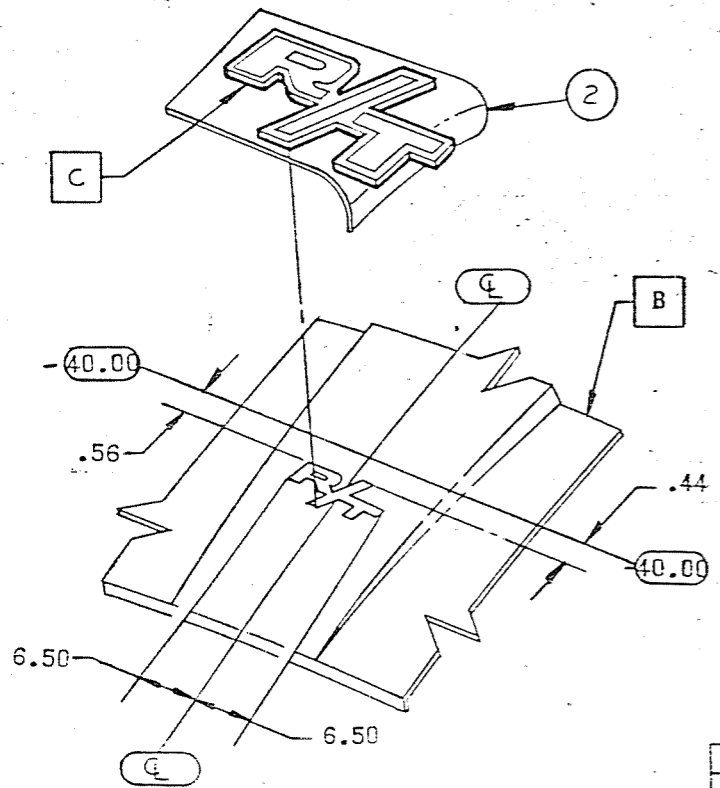
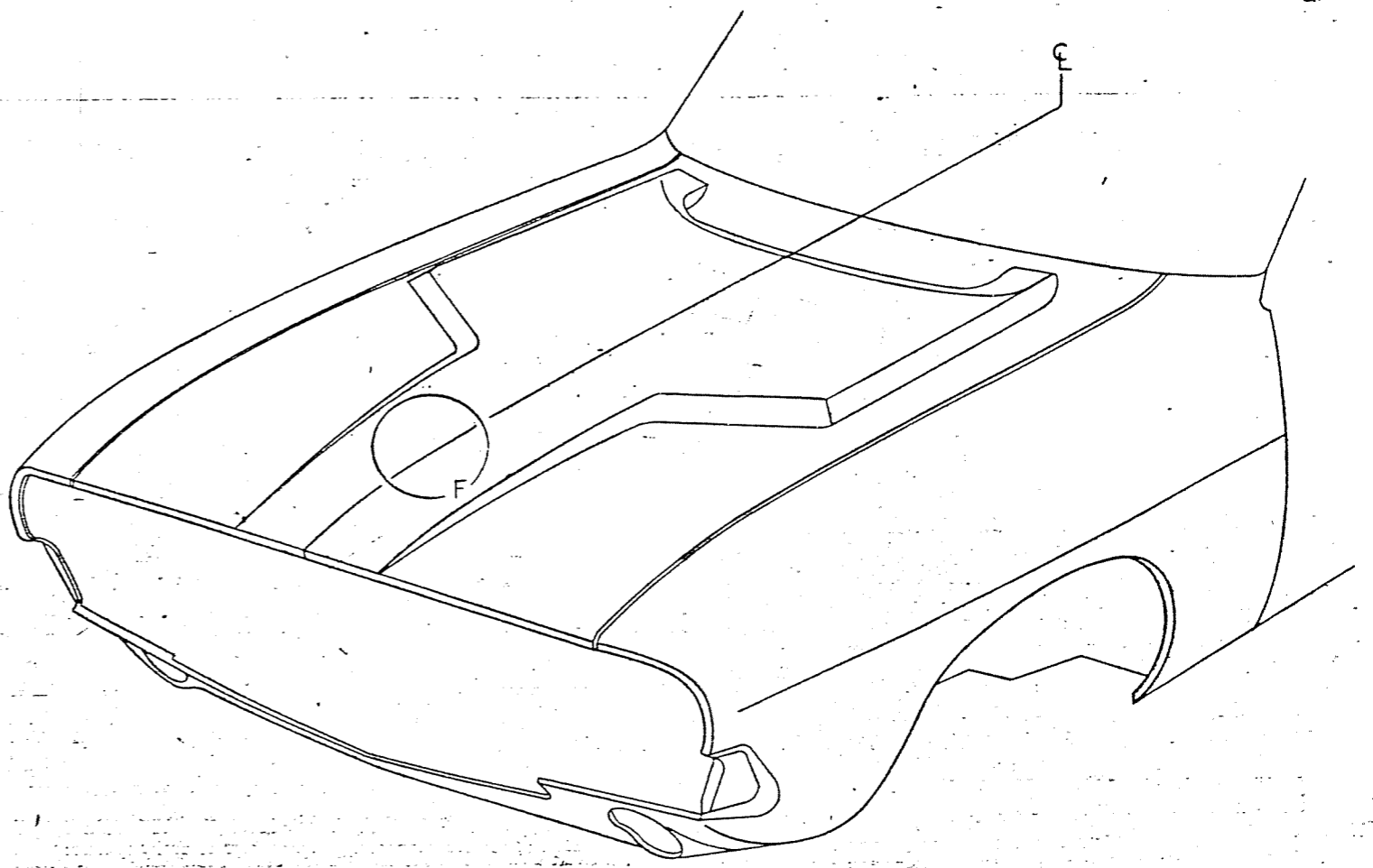
1

2 REMOVE PROTECTIVE PAPER FROM ADHESIVE SIDE OF C/OUT C AND APPLY TO C/OUT B PER (F.S.4941)

A

B 2949504 PANEL-HOOD OUTER

C 3443057 DECAL-HOOD (G/J-S-00 pV21,N96,N94)



VIEW IN CIRCLE F

DECAL OPERATIONS TO BE PERFORMED IN ACCORDANCE WITH (F.S.4941)

REF: STY'G L/OUT R-39666

14360-500	E	G SER REM FROM S/C J54	11/11/69
	F	NO AGREE WITH REL	
	G	3443057 ADDED TO C/OUT A C/OUT 2 & C ADDED	12/20/69
00008-500-1	D	C/OUT 1, SECTS D,E & MOD	11/11/69
	E	REG/J-H-21 & S154 ADDED	11/11/69
00007-500-2	C	F/353-H-23,27 S/CODES ADDED	11/11/69
14360-300A	H	C/OUT 1 & VIEWS D & E REMOVED MODELS & DWG TITLE REVISED	11/11/69
14990-530	C	SPONSORING WORKS ADDED	7/1/69
		90421-530	11/11/69
		90107-190	11/11/69

MODELS		G/J-S-00	
DRAWN	CHECKED	APP	DATE
Dufoor	T. J. J. J.	27	3-25-69
ENGINEERING ILLUSTRATION		APP	DATE
DEPT. 3440			
PRODUCT PLANNING & DEVELOPMENT SECT		CHRYSLER CORPORATION	
DECAL-HOOD		MANUAL NO.	2654909
SECTION	PAGE		
B	17.0		