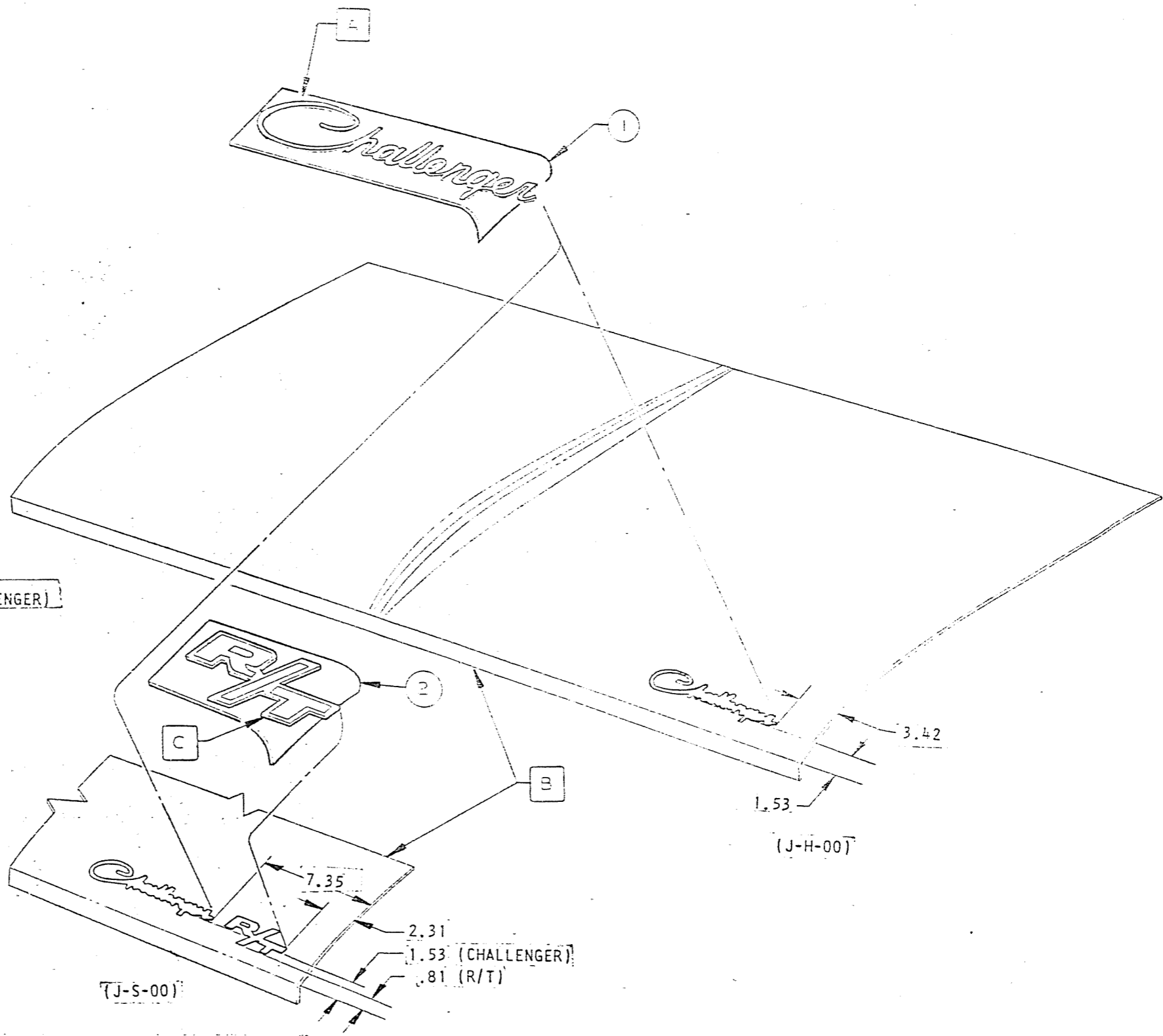


- 1 REMOVE PROTECTIVE PAPER FROM ADHESIVE SIDE OF C/OUT A AND APPLY TO C/OUT B PER P.S. 4856
- 2 REMOVE PROTECTIVE PAPER FROM ADHESIVE SIDE OF C/OUT C AND APPLY TO C/OUT B PER P.S. 4856
- 3



- A 3444938 (S/O 3445224) N/PLATE-DECK LID (CHALLENGER)
- B PANEL-DECK LID OUTSIDE
- C 3445223 (S/O 3445231) N/PLATE-DECK LID (R/T)
- D

REF: B-42631, C-42627
LAYOUT: 342-F-731

										PAINT	
										MODELS F/J-0-00 &	
										ENGINEERING	DATE 12-18-68
										ILLUSTRATION	MANUAL NO. 2654909
										DEPT. 3440	SECTION B
										ADHESIVE BACKED N/PLATE & DEPUTY DECAL-DECK LID	
										PAGE 14.0	

00302-1900	C	CHG B RECALLED	
00018-500-2	B	ADDED LOCAL C NUMBER ADDED	3/10/68 BY
ADDITIONAL:		F SER INFO A R/T INFO ADDED	3/10/68 BY
CR. NO.	LEFT	DATE DRK R	CR. NO.