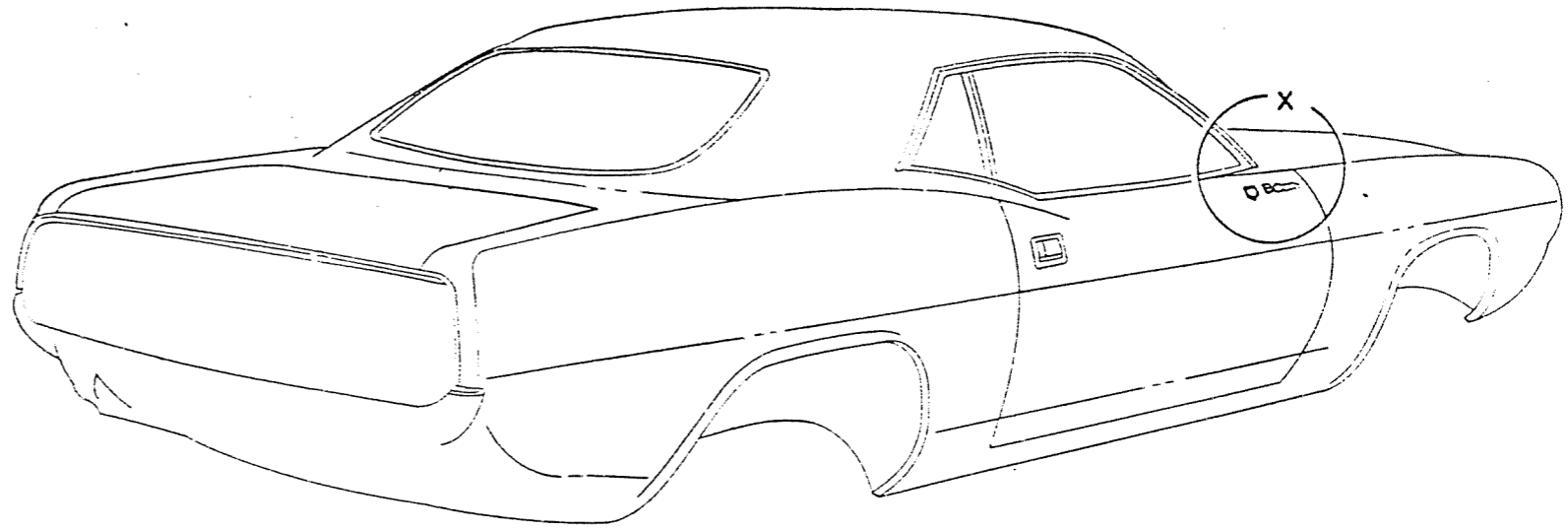
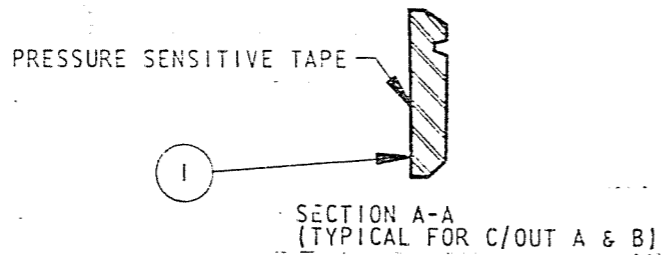
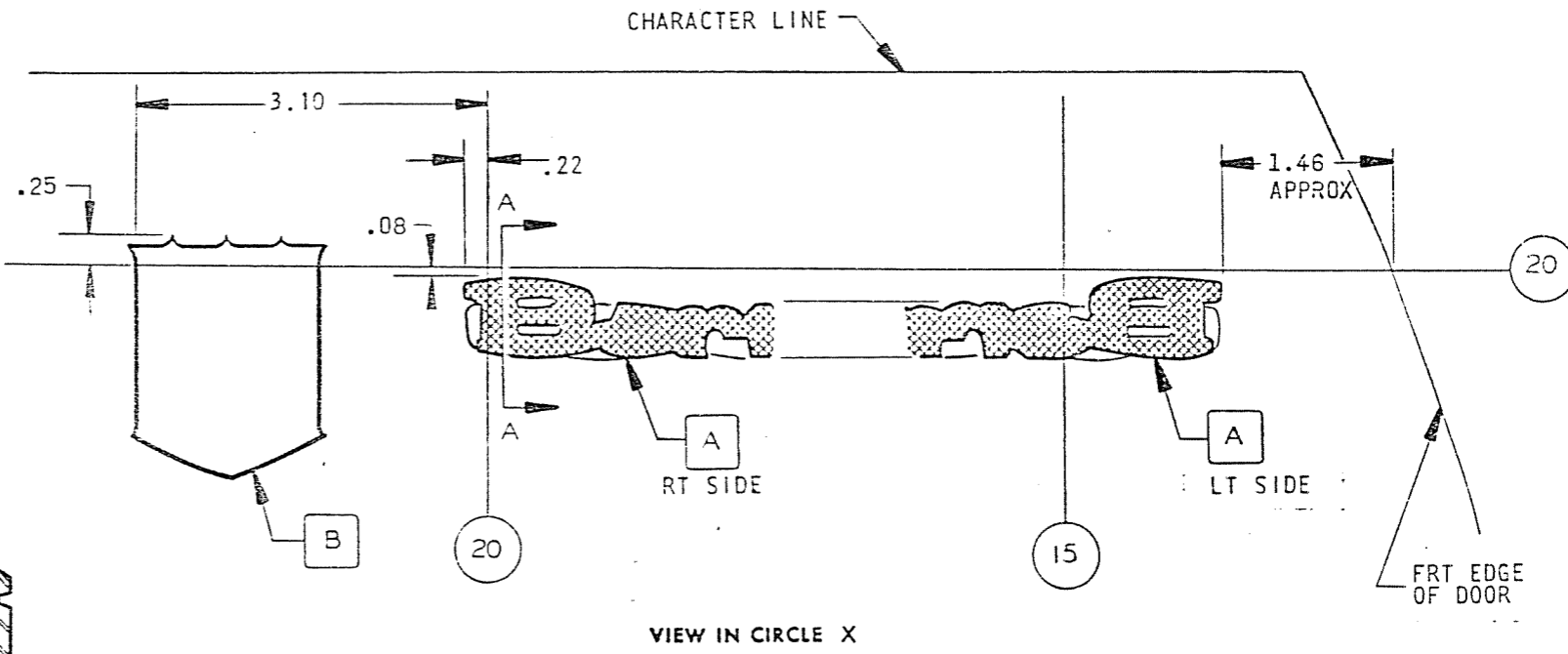


1 REMOVE PROTECTIVE PAPER FROM ADHESIVE SIDE OF C/OUTS A AND B AND APPLY TO DOOR PER P.S. 4856



A 3506416 (S/O 3505456) N/PLATE-DOOR OUTSIDE (BARRACUDA)

B 3505457 (S/O 3504075) MEDALLION-DOOR OUTSIDE (CREST)



REF: BODY LAYOUT 342-F-1702

										PAINT	
										MODELS G/B-H, P-00	
										DRAWN <i>Dufoor</i> CHECKED <i>F.A.H.</i> APP. <i>NP/ST</i> PRODUCT PLANNING & DEVELOPMENT STAFF	APP. <i>[Signature]</i> DATE 3-16-70 MANUAL NO. 2654909 CHRYSLER CORPORATION
										ENGINEERING ILLUSTRATION DEPT. 3050	ADHESIVE BACKED N/PLATE & CREST (DOOR) SECTION B PAGE 26.0
C.R. NO.	LET.	WAS	DATE/DR/CK/R	C.R. NO.	LET.	WAS	DATE/DR/CK/R	TO CLARIFY DRAWING A .25 & .08 DIM. ADDED <i>[Signature]</i>			