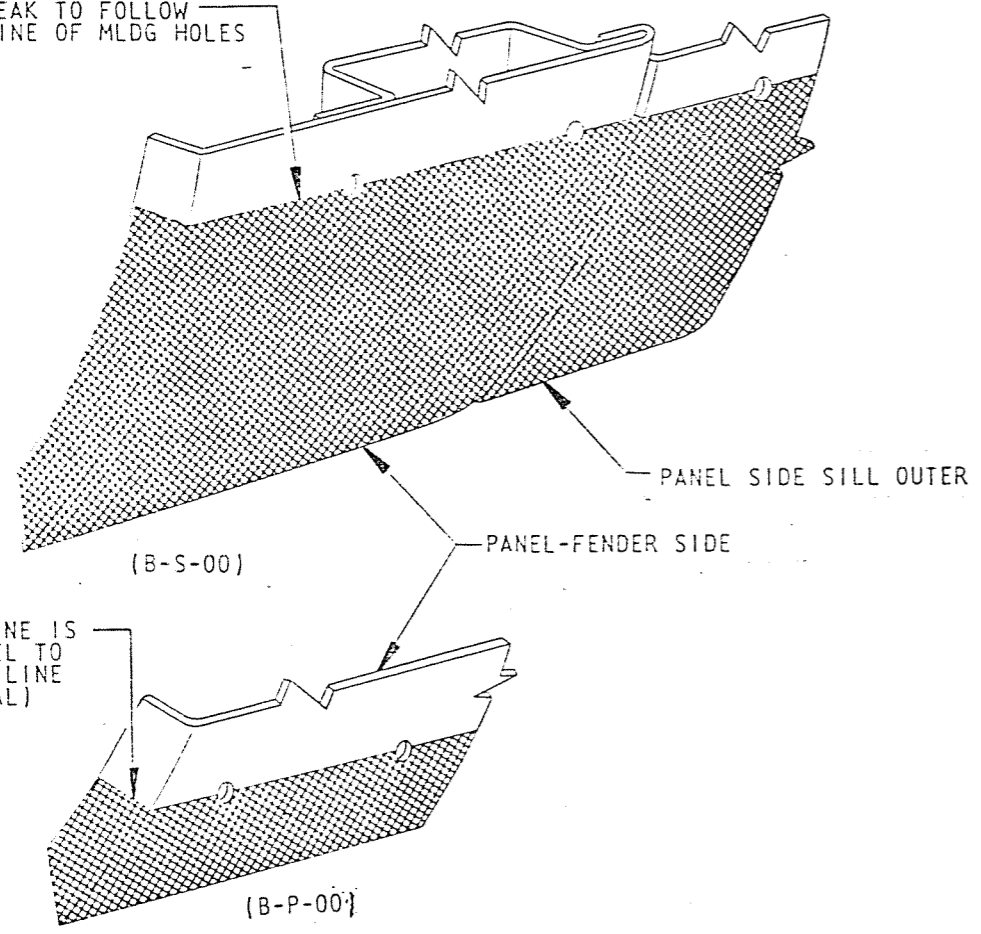
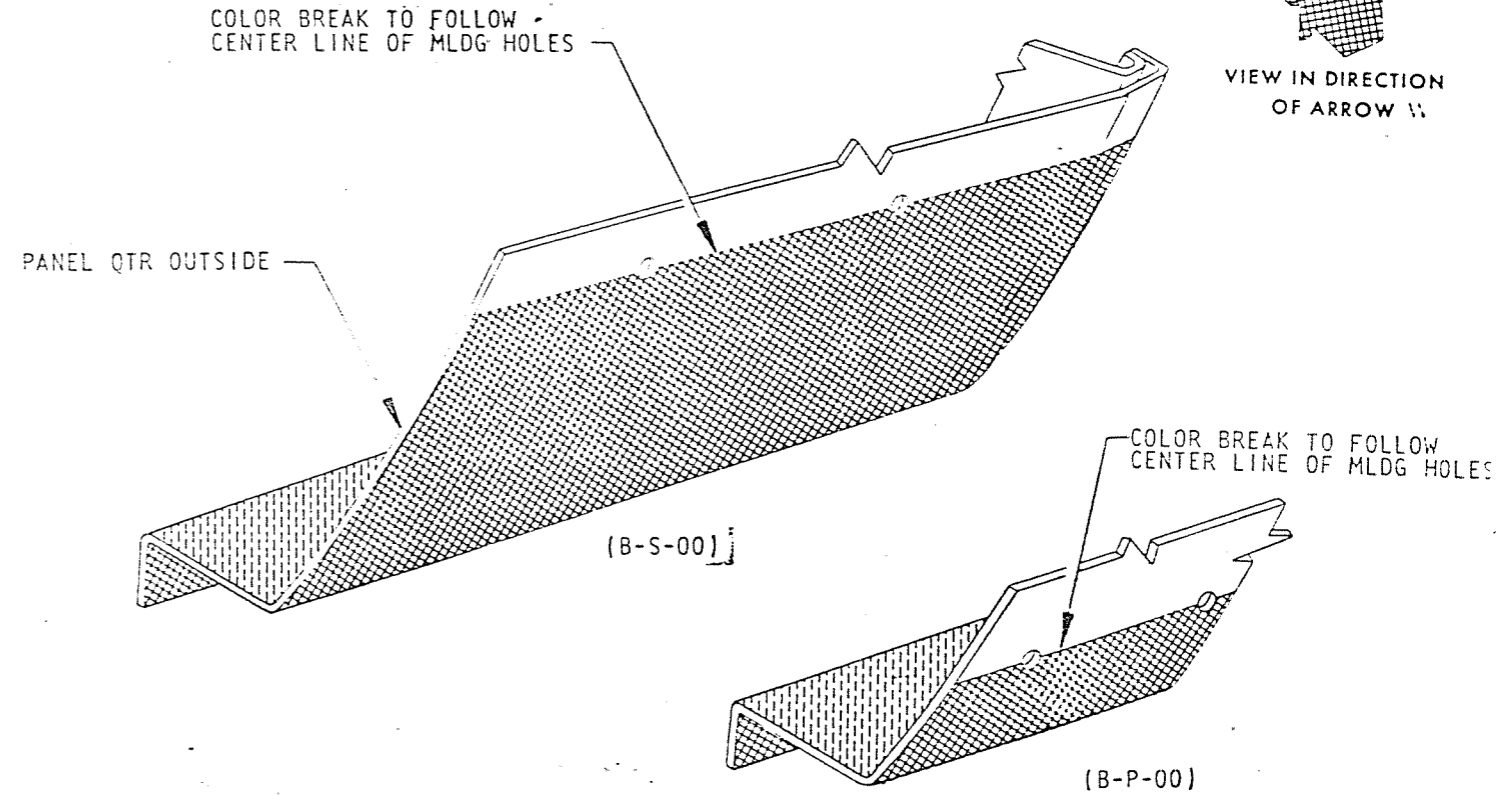


COLOR BREAK TO FOLLOW CENTER LINE OF MLDG HOLES

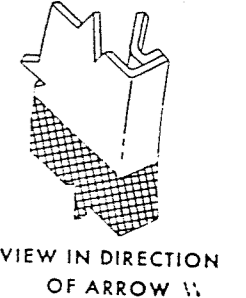


VIEW IN CIRCLE Y

COLOR BREAK TO FOLLOW CENTER LINE OF MLDG HOLES



VIEW IN CIRCLE Z



BLACK ORGANOSOL PAINT DAF 5X8
(M.S. PAZI-1) PER (P.S. 3774)

MODELS G/B-P,S-00 (STD) <i>AKK</i>										
DRAWN <i>Bromberg</i>			CHECKED <i>F.A.H.</i>			APP. <i>PT</i>		APP. <i>Ju</i>		DATE 10-2-69
ENGINEERING ILLUSTRATION						PRODUCT PLANNING & DEVELOPMENT STAFF				
DEPT 3440						CHRYSLER CORPORATION				
MANUAL NO. 2654909										
SECTION PAGE										

PAINT