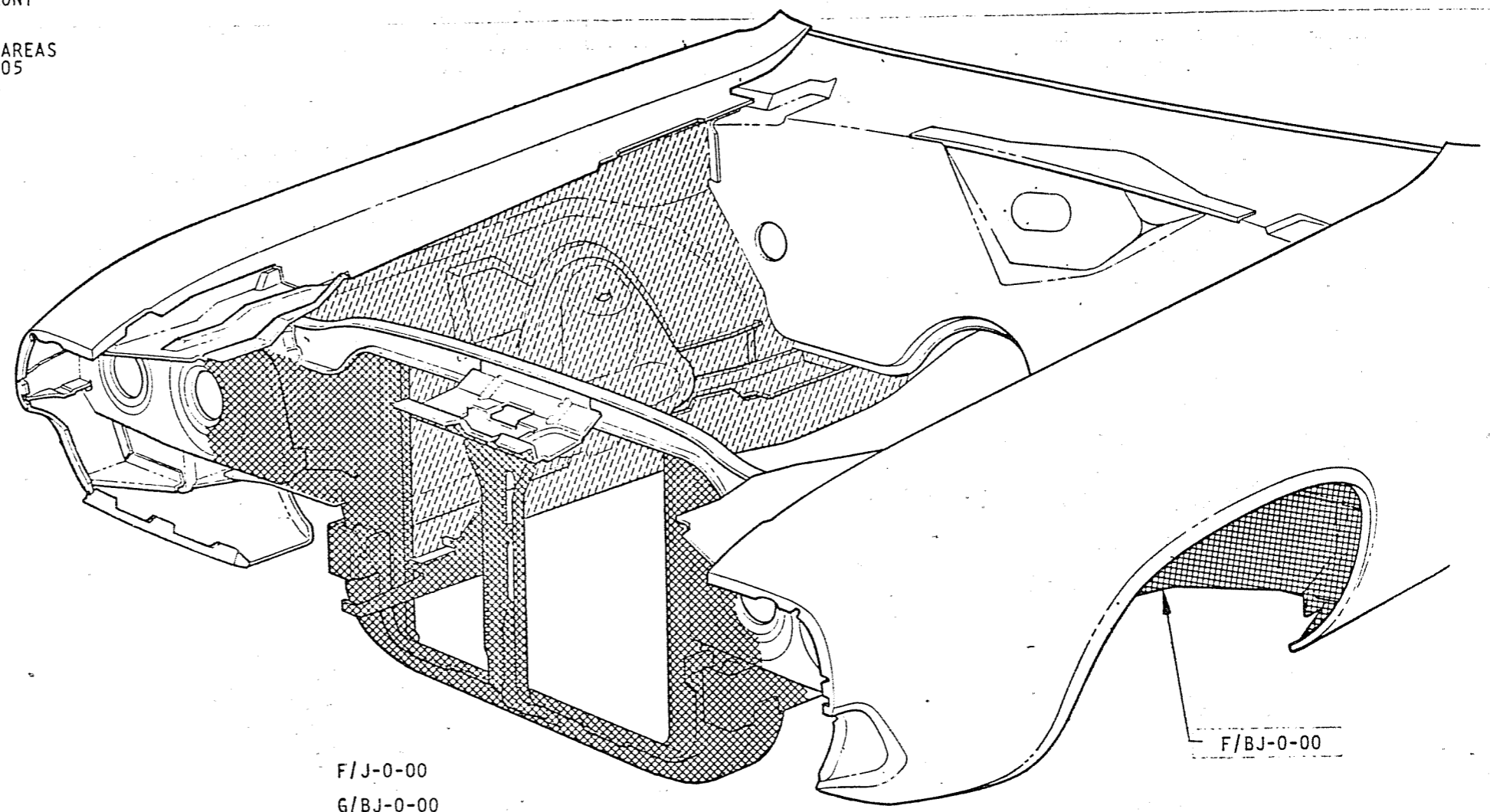


1 APPLY BLACK-OUT PAINT OR FLUID DEADENER IN AREAS INDICATED AND ALL AREAS VISIBLE THRU THE FRONT WHEEL OPENING FOR BLACK-OUT PURPOSES.

NOTE: OMIT BLACK-OUT PAINT APPLICATION IF AREAS ARE COVERED WITH DEADENER (SEE 2654905 SECTION B; PAGE 1.0) OR THE FOLLOWING BODY COLORS:

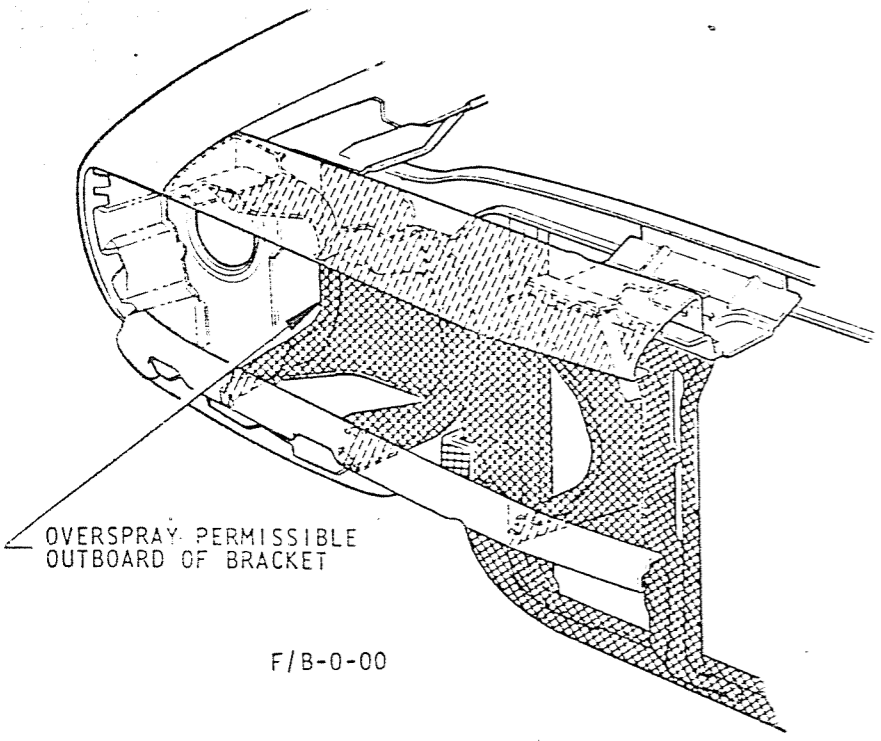
BLACK AY1TX9
 MED DK BLUE MET AY2EB7
 MED DK GREEN MET AY2EF8

G-SERIES OMISSION COLORS TO BE ADDED



F/J-0-00
 G/BJ-0-00

F/BJ-0-00



OVERSPRAY PERMISSIBLE OUTBOARD OF BRACKET

F/B-0-00

	BODY COLOR (REF)
	EXPOSED
	HIDDEN

BLACK-OUT PAINT (M.S. PE4-2)
 PER (P.S. 3774) OPT.
 FLUID DEADENER (M.S. HA17)

PAINT

MODELS FG/BJ-0-00									
DRAWN LEACH		CHECKED F.A.H.		APP. CP		APP. W		DATE 2-5-69	
ENGINEERING ILLUSTRATION								MANUAL NO. 2654909	
DEPT. 3440								FRONT END AREA BLACKOUT	
90623-953								SECTION B	
BLUE & GREEN OMISSION ADDED TO C/OUT 1 & BLACK-OUT ADDED TO F/B-0-00								PAGE 1.0	
G-SER MODS ADDED									
CR. NO.	LET	WAS	DATE DRCK P	CR. NO	LET	WAS	DATE DRCK R		